



BIL00071



BIL00072



BIL00107

Knürr EliMobil® Strong points

Aesthetics

- Modern and slim look with dynamic shapes
- Extrusions and die-cast rockers in modern design with narrow crosspiece
- Side panels of the shelves dynamically shaped
- Cable ducts are aesthetic and space-savvily integrated into the extrusion

Functionality

- High EMC safety with separate cable routing of mains and data cables
- Storage space in the crosspiece for socket strips and excess cables
- Space-saving with optional use of surface areas with 2 basic widths* (450 mm and 550 mm)
- * useable internal dimension between the extrusions
- Worktop can be loaded up to 300 N
(overall load rating of the trolley: up to 1800 N)
- Distributed load drawer extension up to 100 N

Variability

- Numerous individual models possible
- All modules can be combined and mounted in the easiest possible way
- Individual configuration with adjustment of the installation components at 25 mm intervals
- Simple and quick adjustment without special tools

Convenience

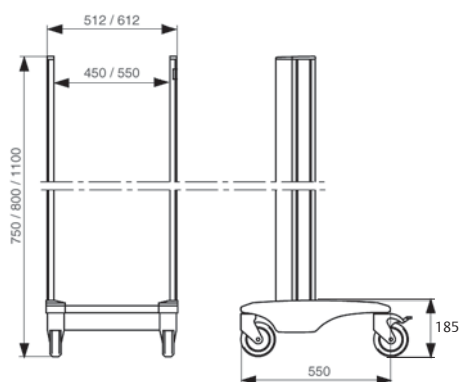
- Easy to clean with coated surfaces
- All surfaces are corrosion-free, impact and scratch-proof and acid and disinfection agent-resistant
- Vibration-free and noiseless transport with special rubber smooth-running castors Ø 100 mm



BIL20011



BIL00151



BIL00237



BIL20010

Knürr EliMobil® System Components

Technical data

- Modules can be installed at increments of 25 mm

Maximum static load rating

- Per basic frame: 1800 N
- Per castor: 750 N
- Surface load per worktop: 300 N

Material

Basic rack consists of:

- Extrusions: extruded aluminium
 - Rockers: die-cast aluminium
 - Crosspiece: sheet steel
- Worktops: sheet steel/plastic
Storage shelf, storage tray, drawer module: sheet steel

Finish

- Metal parts: powder-coated texture
- Plastic parts: coated texture

Color combinations

Final digit of order number.2:

- Basic frame: RAL 7035 light-grey
- Plastic caps RAL 5003 sapphire blue
- Castors: RAL 9011, graphite black

How supplied

Fully assembled

Knürr EliMobil® Laptop cart

Dimensions

Height, 800
Overall width, 512 mm
Useable width, 450 mm
Depth, 550 mm

Supply schedule

1 Basic frame
1 Worktop with handle
1 Drawer unit
Division 3 OU
1 Storage tray

Material

Extrusions: aluminium
Worktops: sheet steel/plastic

Color combinations

RAL 7035 light-grey/
RAL 5003 sapphire blue

Castors

RAL 9011, graphite black

How supplied

Fully assembled

W	H	D	w	d	Order no.	UP
512	800	550	450	427	00.306.447.2	1 unit

Dimensions in mm: W= Width
H = Height
D = Depth
h = Installation height
d = Useful depth
L = Length

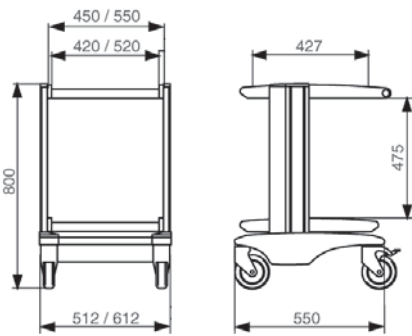
HU = Standard height unit, 1 HU = 44.45 mm
19" = 482.6 mm, (ideal for 19" components in acc. with DIN 41494)
UP = Unit of packaging
kg = Weight

Conversion: 1 inch = 25.4 mm

Replace „x“ with the number of your color choice



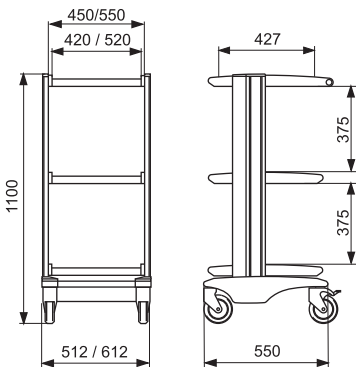
BIL00216



BIL00205



BIL00217



BIL00206

Knürr EliMobil® PC 3

■ Dimensions

Height 800 mm
Overall width, 512 or 612 mm
Useable width, 450 or 550 mm
Depth, 550 mm

■ Supply schedule

1 Basic frame
1 Worktop with handle
1 Worktop

■ Material

Extrusions: aluminium
Worktops: sheet steel/plastic

■ Color combinations

RAL 7035 light-grey/
RAL 5003 sapphire blue

■ Castors

RAL 9011, graphite black

■ How supplied

Fully assembled

W	H	D	d	w	Order no.	UP
512	800	550	427	450	00.306.424.2	1 unit
612	800	550	427	550	00.306.425.2	1 unit

Knürr EliMobil® PC 4

■ Dimensions

Height, 1,100 mm
Overall width, 512 or 612 mm
Useable width, 450 or 550 mm
Depth, 550 mm

■ Supply schedule

1 Basic frame
1 Worktop with handle
2 Worktops

■ Material

Extrusions: aluminium
Worktops: sheet steel/plastic

■ Color combinations

RAL 7035 light-grey/
RAL 5003 sapphire blue

■ Castors

RAL 9011, graphite black

■ How supplied

Fully assembled

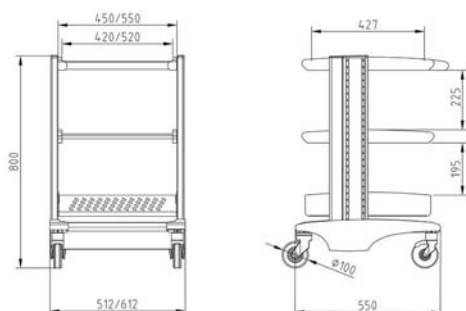
W	H	D	d	w	Order no.	UP
512	1100	550	427	450	00.306.428.2	1 unit
612	1100	550	427	550	00.306.429.2	1 unit



BIL00224

Knürr EliMobil® Labor 3

- Dimensions**
Height, 800
Overall width, 512 or 612 mm
Useable width, 450 or 550 mm
Depth, 550 mm
- Supply schedule**
1 Basic frame
1 Worktop with handle
1 Worktop
1 Storage tray
- Material**
Extrusions: aluminium
Worktops: sheet steel/plastic
- Color combinations**
RAL 7035 light-grey/
RAL 5003 sapphire blue
- Castors**
RAL 9011, graphite black
- How supplied**
Fully assembled



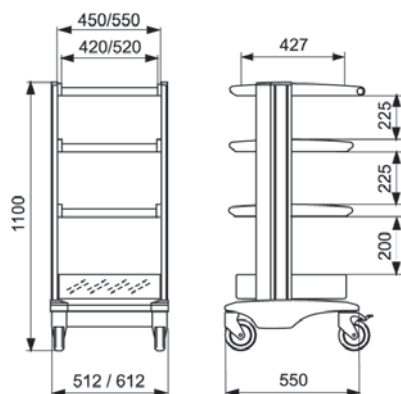
W	H	D	d	w	Order no.	UP
512	800	550	427	450	00.306.432.2	1 unit
612	800	550	427	550	00.306.433.2	1 unit



BIL00225

Knürr EliMobil® Labor 4

- Dimensions**
Height, 1,100 mm
Overall width, 512 or 612 mm
Useable width, 450 or 550 mm
Depth, 550 mm
- Supply schedule**
1 Basic frame
1 Worktop with handle
2 Worktops
1 Storage tray
- Material**
Extrusions: aluminium
Worktops: sheet steel/plastic
- Color combinations**
RAL 7035 light-grey/
RAL 5003 sapphire blue
- Castors**
RAL 9011, graphite black
- How supplied**
Fully assembled



W	H	D	d	w	Order no.	UP
512	1100	550	427	450	00.306.436.2	1 unit
612	1100	550	427	550	00.306.437.2	1 unit

BIL00208

Dimensions in mm: W = Width
H = Height
D = Depth
h = Installation height
d = Useful depth
L = Length

HU = Standard height unit, 1 HU = 44.45 mm
19" = 482.6 mm, (ideal for 19" components in acc. with DIN 41494)
UP = Unit of packaging
kg = Weight

Conversion: 1 inch = 25.4 mm

Replace „x“ with the number of your color choice

P = assemble to order (shipped within 10 working days)

Caution: In case of larger orders, delivery times may increase.



Knürr EliMobil® Labor 5

■ Dimensions

Height, 800
Overall width, 512 or 612 mm
Useable width, 450 or 550 mm
Depth, 550 mm

■ Supply schedule

1 Basic frame
1 Worktop with handle
1 Drawer module
Division: 3 OU
1 Worktop

■ Material

Extrusions: aluminium
Worktops: sheet steel/plastic

■ Color combinations

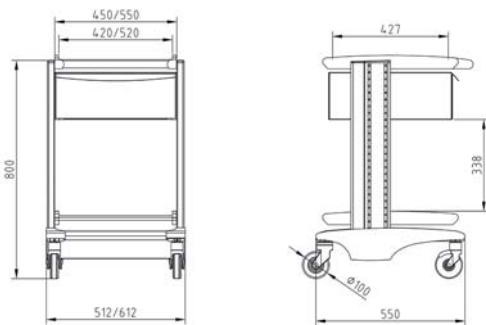
RAL 7035 light-grey/
RAL 5003 sapphire blue

■ Castors

RAL 9011, graphite black

■ How supplied

Fully assembled



W	H	D	d	w	Order no.	UP
512	800	550	427	450	00.306.448.2	1 unit
612	800	550	427	550	00.306.449.2	1 unit

Knürr EliMobil® Labor 7

■ Dimensions

Height, 1,100 mm
Overall width, 512 or 612 mm
Useable width, 450 or 550 mm
Depth, 550 mm

■ Supply schedule

1 Basic frame
1 Worktop with handle
1 Drawer module, height 150 mm
1 Worktop
1 Storage tray

■ Material

Extrusions: aluminium
Worktops: sheet steel/plastic

■ Color combinations

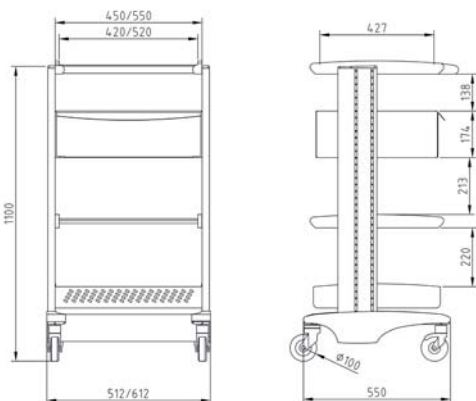
RAL 7035 light-grey/
RAL 5003 sapphire blue

■ Castors

RAL 9011, graphite black

■ How supplied

Fully assembled



W	H	D	d	w	Order no.	UP
512	1100	550	427	450	00.306.541.2	1 unit
612	1100	550	427	550	00.306.542.2	1 unit



BIL00134

Knürr EliMobil® Basic Rack

- Modules can be installed at increments of 25 mm

Maximum static load rating

- Per basic rack: 1,800 N
- Per castor: 750 N

Material

- Extrusions: extruded aluminum
- Rockers: die-cast aluminum
- Crosspiece: sheet steel

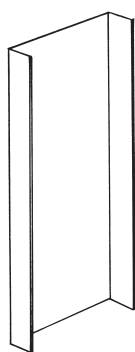
Finish

Metal parts: powder-coated texture

Color combinations

- Basic rack: RAL 7035, light gray
- Castors: RAL 9011, graphite black

W	H	D	w		Order no.	UP
512	750	550	450		00.306.621.2	1 unit
512	800	550	450		00.306.631.2	1 unit
512	1100	550	450		00.306.641.2	1 unit
612	750	550	550		00.306.622.2	1 unit
612	800	550	550	P	00.306.632.2	1 unit
612	1100	550	550	P	00.306.642.2	1 unit



Knürr EliMobil® Rear Panel

Material

Sheet steel, powder-coated

Color

RAL 7035, light gray, antistatic

W	H	D	w		Order no.	UP
	750	125	450		00.306.850.1	1 unit
	800	125	450		00.306.851.1	1 unit
	1100	125	450		00.306.852.1	1 unit
	750	125	550		00.306.853.1	1 unit
	800	125	550		00.306.854.1	1 unit
	1100	125	550		00.306.855.1	1 unit



BIL00224

Knürr EliMobil® Worktop

Material

- Side panels – plastic
- Covers – sheet steel, powder-coated
- Handle – aluminum, powder-coated

Color

RAL 7035, light gray

W	H	D	w	d	Model	Order no.	UP
		475	450	427	without handle	00.306.761.1	1 unit
		475	550	427	without handle	P 00.306.762.1	1 unit
		475	450	427	with handle	00.306.751.1	1 unit
		475	550	427	with handle	P 00.306.752.1	1 unit



BIL00169

Knürr EliMobil® Storage Shelf

Material

Sheet steel, powder-coated

Color

RAL 7035, light gray

W	H	D	w	Model	Order no.	UP
	17	475	450	fixed	00.306.773.1	1 unit
	17	475	550	fixed	00.306.774.1	1 unit
	17	475	450	tilt	00.306.775.1	1 unit
	17	475	550	tilt	00.306.776.1	1 unit

Dimensions in mm: W= Width
 H = Height
 D = Depth
 h = Installation height
 d = Useful depth
 L = Length

HU = Standard height unit, 1 HU = 44.45 mm
 19" = 482.6 mm, (ideal for 19" components in acc. with DIN 41494)
 UP = Unit of packaging
 kg = Weight

Conversion: 1 inch = 25.4 mm
 Replace „x“ with the number of your color choice

P = assemble to order (shipped within 10 working days)

Caution: In case of larger orders, delivery times may increase.



BIL00225

Knürr EliMobil® Storage Tray

Material
Sheet steel, powder-coated

Color
RAL 7035, light gray

W	H	D	w	Order no.	UP
	91	475	450	00.306.781.1	1 unit
	91	475	550	00.306.782.1	1 unit



BIL20010

Knürr EliMobil® Drawer Module

Material
Sheet steel, powder-coated

Color
RAL 7035, light gray

W	Model	Order no.	UP
450	3 OU	00.306.714.2	1 unit
550	3 OU	00.306.715.2	1 unit



BIL00179

Photo similar

Knürr EliMobil® Keyboard Extension Open

- With mouse table – moves to the left/right

Material
Sheet steel, powder-coated

Color
RAL 7035, light gray

W	H	D	Order no.	UP
450	55	455	00.306.725.1	1 unit
550	55	455	00.306.730.1	1 unit

** External dimension same as useable surface



BIL00151

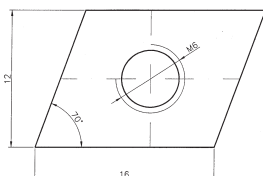
Knürr EliMobil® Castor Set

Load capacity
750 N per castor Ø 100 mm

Supply schedule
4 smooth-running castors
2 with snib

Color
RAL 9011, graphite black

ESD	Order no.	UP
	00.306.965.9	1 Stk
•	00.128.980.9	1 Stk



Knürr EliMobil® Sliding Nut, M6

- For mounting components or accessories on the outside of the extrusion

Supply schedule
20 sliding nuts

W	H	D	Order no.	UP
12	4	16	00.306.970.8	1 unit