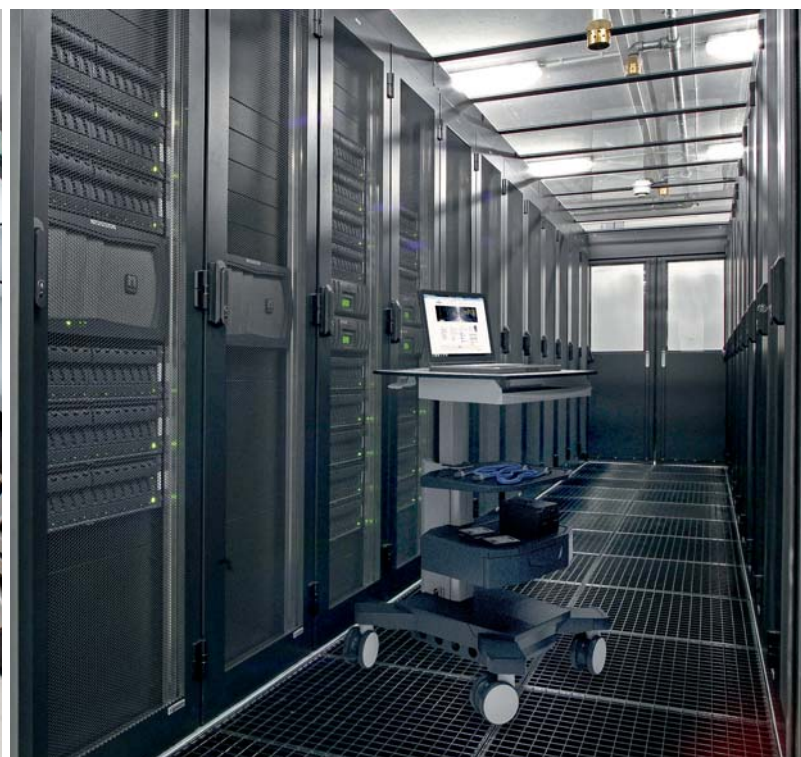


Knürr Mobile Equipment Carriers

Universal Cart Systems

Ergonomic, Modular, Future-Proof



Knürr Mobile Equipment Carriers

Mobility In Practice	2
Knürr DacoMobile®	5
Knürr MetraMobil®	21
Knürr SynergyCart®	29
Knürr Cabinet Cart – Rollo	37
Knürr Cabinet Cart	39
Accessories	46
Individual solution	53

Mobility In Practice

Modular & Industrial Solutions

Whether for the electronics laboratory, in the logistics and in the automotive sector, our extensive standard range provides diverse solutions for the safe and secure mobility of valuable equipment. Our modular designs enable versatile cart configurations, immediately or at any time later on. For demanding ESD environments Knürr provides various cart systems – ranging from robust transport trolleys through to the fully equipped measurements and diagnostics cart.

Ergonomic details also simplify daily tasks in a wide range of environments. An extensive range of accessories supplements Knürr's mobile equipment carriers as requested by the customer: Flat screen holders, ESD castors, isolating transformers and leakage detectors, cable routing elements and other practical accessories.



MOB20131



MOB20162

MET 20000

Page 29 to 35

Mobile Equipment Carriers

Knürr SynergyCart[®] Advanced

Knürr SynergyCart® Advanced Strong points



SYN20210



SYN20213

■ The ergonomic equipment carrier

- Mobile, height-adjustable LCD workstation
- Supports computers, bar code scanners and printers
- Test trolley in production / workshop
- Warehouse picking, scanner carts
- Ideal for automotive and industrial projects where small space-saving trolleys with cable management are required
- Fully assembled and ready for use
- Tested according to the latest standards and regulations
- Stable, attractive base in 2 versions:
 - Synergy Cart Advanced
 - Synergy Cart Advanced MetraLine

■ Characteristics

- Flexible height adjustable by gas pressure column - 750-1040 mm
- Comfortable working in sitting or standing position
- Easy handling with in the worktop integrated handles

- Ergonomic lever for safe and comfortable height adjustment
- Spacious and stable worktop, made of 15 mm HPL solid core material (width 695 mm, depth 570 mm) for loads up to 16kg
- Either with single or double steering rollers
- Easy movement on uneven floors or above doorsills through ø 125 mm smooth running castors
- Fixation by two castors with locking mechanism
- No scratches on doors, walls and furniture due to integrated plastic bumper caps
- Simple, individual assembly of accessory components, e.g. drawers and storage shelves on the vertical aluminum profile
- User-friendly cable management with plenty of space for cables, sockets and transformers

Dimensions in mm: W = Width
H = Height
D = Depth
h = Installation height
d = Useful depth
L = Length

HU = Standard height unit, 1HU = 44,45 mm
19" = 482,6 mm, (ideal for 19" components in acc. with DIN 41494)
UP = Unit of packaging
kg = Weight

Conversion: 1 inch = 25,4 mm
Replace „x“ with the number of your color choice

> SynergyCart Advanced Metra Line

> SynergyCart Advanced



Individual Project Solutions – Contact Us!

Many application scenarios demand a project specific solution. When planning, manufacturing, and assembling your individual requirements, Knürr takes multiple factors into account, including your personal requirements as well as legal guidelines. Industrial designers and Technicians closely cooperate at our product design department to bring form and function in line. The resulting designs are regularly tested by means of 3D-CAD models and you are welcome to incorporate your ideas any time. Any required prototypes are manufactured by experts who translate your wishes and ideas into a real product.



MOB20135

Knürr SynergyCart® Advanced

- Base unit in Synergy design
- Large leg space
- Double castors in Ø 125mm

- **Finish**
 - .1 RAL 7035, light grey
 - .9 RAL 7021, dark grey

- **Supply schedule**
 - 1 base unit with gas lift column and aluminum profile cover
 - 4 Double castors (2 lockable)
 - 1 worktop with integrated handles

- **How supplied**
 - Fully assembled

W	H	D	d	Order no.	UP
				00.705.510.x	1 unit



MOB20136

Knürr SynergyCart® Advanced Metra Line

- Large base unit for different equipment like printers
- Smooth running castors in Ø 125mm

- **Finish**
 - .1 RAL 7035, light grey
 - .9 RAL 7021, dark grey

- **Supply schedule**
 - 1 base unit with gas lift column and aluminum profile cover
 - 4 castors (2 lockable)
 - 1 worktop with integrated handles

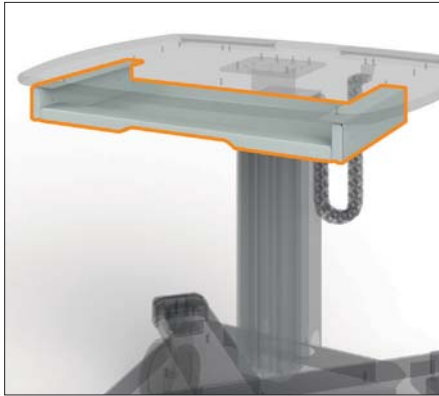
- **How supplied**
 - Fully assembled

W	H	D	d	Order no.	UP
				00.705.500.x	1 unit

Dimensions in mm: W = Width
 H = Height
 D = Depth
 h = Installation height
 d = Useful depth
 L = Length

HU = Standard height unit, 1HU = 44,45 mm
 19" = 482,6 mm,
 (ideal for 19" components in acc. with DIN 41494)
 UP = Unit of packaging
 kg = Weight

Conversion: 1 inch = 25,4 mm
 Replace „x“ with the number of your color choice



MOB20138

Knürr SynergyCart® Keyboard Drawer

- Creates space on your worktop
- Legroom is always granted
- Keyboard drawer latches in closed and extended position
- Easy retrofit

Material / Surface
Sheet steel, powder-coated

Color
RAL7035 light grey

Dimensions
- Width: 536 mm

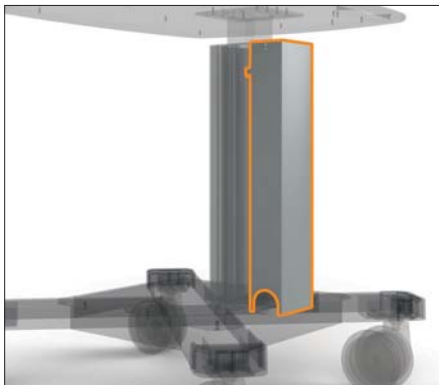
- Height: 56 mm
- Depth: 276 mm

Max. usable dimensions
- Width: 500 mm
- Height: 45 mm
- Depth: 218 mm

Supply schedule
- 1 Keyboard drawer
- Mounting material

How supplied
pre-assembled

Model	Order no.	UP
Keyboard drawer	00.705.550.1	1 unit



MOB20139

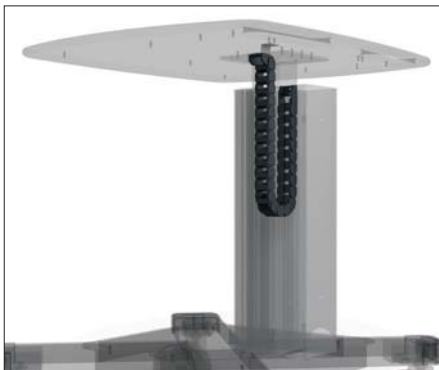
Knürr SynergyCart® Cable Duct

- Toolless installation
- Clean cabling
- Ready for installation of Knürr DI-Strip PDU's (4 sockets)

Material / Surface
RAL 9006 White aluminum

Supply schedule
1 Cable Duct

Model	Order no.	UP
Cable Duct	00.705.555.9	1 unit



MOB20140

Knürr SynergyCart® Cable Chain

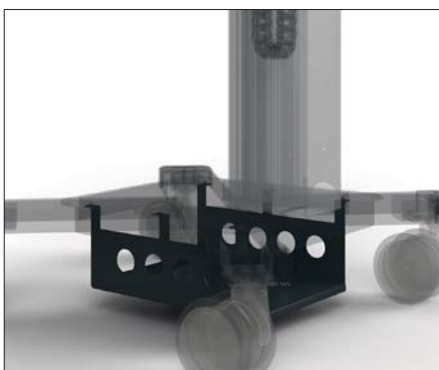
- Non pinch and anti tangle cable guiding
- Defined cable radii

Material / Surface
Plastic black

Supply schedule
1 Cable Chain

Note
Cable chain installation works only together with cable duct

Model	Order no.	UP
Cable Chain	00.705.560.9	1 unit



MOB20141

Knürr SynergyCart® Transformer Tray

- Low Center of Gravity
- Securely holds transformers, batteries etc.
- Lateral and bottom cooling vents

Material / Surface
.1: RAL 7035 light grey
.9: RAL 7021 dark grey

Dimensions (usable)
Width 290 mm,
Depth 320 mm
Height 104 mm

Supply schedule
1 Transformer Tray

Model	Order no.	UP
Knürr SynergyCart® Advanced Metra Line	00.705.565.x	1 unit
Knürr SynergyCart® Advanced	00.705.570.x	1 unit



CIC20031 Type D



CIC20032 Type E



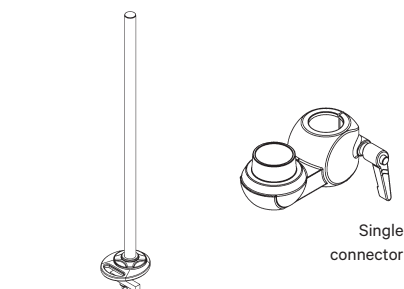
CIC20033 Type F



CIC20034 Type G



KON20086 Single connector



ACC20029

Monitor Arms

- Monitor arms for mounting flat screens with the 75 and 100 mm VESA mounting
- With cable management

Supply schedule

- 1 flat screen support
- Type E, F and G come with height adjustment plate
- Mounting material

How supplied

Flat-packed kit

Finish / Material Type D-G

- Swivel arm: die-cast aluminum
- Adapter plates: sheet steel
- Gas spring arm covers: plastic
- Metal parts: powder-coated, RAL9006 White aluminum, smooth
- Gas spring arm housing – type B/C:
- Plastic, light grey

Model	Height adjustment plate	Load-bearing capacity	Order no.	UP
Type D, for Pole		6 kg	01.316.250.9	1 unit
Type E, for Pole	•	6 kg	01.316.251.9	1 unit
Type F, for Pole	•	6 kg	01.316.252.9	1 unit
Type G, for Pole (2x180mm)	•	6 kg	01.316.253.9	1 unit
Single connector			01.316.224.9	1 unit
Add on Monitor Poles (H400)			01.316.233.9	1 unit

Please note

Monitor arms for monitor poles come without mounting adaptors for functional rails. In order to install with monitor poles, please also order single connector.

Please observe the leverage ratio and load bearing capacity from the following table of add-on monitor posts.

Load bearing matrix for add-on monitor posts

Maximum weight per monitor (kg)	Type D (short)	Type E (180mm)	Type F (250mm)	Type G (360mm)
Height 400 1x single connector	6 kg	6 kg	6 kg	6 kg



MOB20137

Knürr SynergyCart® Drawer

- Can be ergonomically mounted at any height, stepless
- With drawer safety catch against unintentional opening

Material
Main unit and drawer: Sheet steel, powder-coated
Handle: Plastic, black

Finish
.1: RAL 7035 light grey
.9: RAL 7021 dark grey

Dimensions
width, 505 mm; depth, 350 mm;
height, 110 mm
drawer width, 425 mm;
depth, 265 mm; height, 90mm

Load rating
Housing, 10 kg; extension, 2 kg

Supply schedule
1 drawer module
Mounting material

W	H	D	Order no.	UP
500	110	300	00.705.275.x	1 unit



MOB20137

Knürr SynergyCart® Shelf

- Can be ergonomically mounted at any height, stepless
- Torsion-free and stable
- With recessed surface to prevent sliding and for anti-slip mats

Material
Sheet steel, powder-coated

Finish
.1: RAL 7035 light grey
.9: RAL 7021 dark grey

Load rating
15 kg

Supply schedule
1 Shelf
Mounting material

W	T	Order no.	UP
500	300	00.705.225.x	1 unit