



# Workplace Lighting

12 to 20



# Workplace Lighting

## Task

Knürr Task LED	13
Knürr Task LED Flex	13
LED Desk Lamp Taneo	14
LED Magnifying Lamp	
Tevisio	14
Lamp Mounting Adapter	15

## Workstation

Knürr Console LED	16
Knürr Lumax LED	17
Knürr Smart LED	18

## Room Level

Knürr Console LED pendant	19
Knürr Console LED stand	20
Knürr Control LED remote	20

## Levels Of Workplace Lighting

**From an ergonomic point of view a workplace structures in several access areas. Knürr divides these in three different areas:**

### ■ Task

Area of immediate manual activity. Space for mouse, keyboard, writing utensils and communication devices. Task lights are meant to selectively illuminate the area directly in front of the operator. This light shall not affect other workstations and can be dimmed and adjusted.

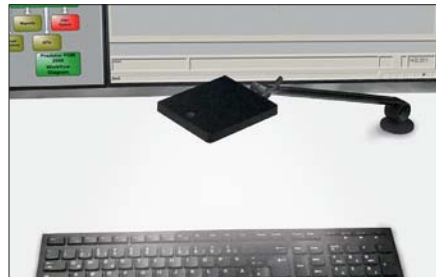
### ■ Workstation

Area of immediate manual activity and furthermore the complete remaining work surface of the

console. Installed with overhead extension arms or as underfit lamp. Light sources allow 500 Lux for the working area. Precautionary over-sizing may compensate for LED fading over time. Control panels are situated in front below the worktop and in easy reach.

### ■ Room Level

Ceiling-mounted lamps are of advantage for an unobstructed view to a monitor wall. These overhead lamps illuminate the console with direct and indirect light and subsequently can be integrated in the room illumination. GST18 connector system, DALI and radio control allow for an easy installation.



DAA20082

Task



DAA20055

Workstation



ACC20013

Room Level

# Task



DAA20082

Knürr Task LED



DAA20083

Knürr Task LED L

• LED •

## Knürr Task LED

The Knürr Task LED is fitted with a bright LED lamp that provides pleasant task lighting and an easily accessible dimming button. A specially developed highly reflective plastic reflector ensures glare-free working. What's more, even with such impressive performance figures, the Knürr Task LED is surprisingly economical in terms of energy consumption, with only 8 W of installed consumption for an average illuminance of up to 700 lx.

- Light and easy to adjust to your individual position
- Specially developed reflector for glare-free lighting
- Switching and dimming with memory function via easily accessible control button in the luminaire head
- Automatic cut-off and switch-on behavior can be adjusted
- Maintenance free LED technology with a service life of up to 50,000 hours and more

### Technical data

- Color temperature neutral white 4,000 K
- Connected load 100-240 V; 50/60 Hz
- Power consumption approx. 8 W
- Luminous flux approx. 600 lm
- Luminous efficacy approx. 75 lm/W
- Illuminance efficiency factor 93 lx/W
- Color rendering index (CRI) >80 (typ.85)
- Supplied with 3 m mains lead and with mains plug type CEE 7 / 16 (Euro plug),
- Various fastenings as accessories

### Color

Aluminum black coated

### Supply schedule

1 Knürr Task LED  
(Please always order mounting adapter of choice)

Description	Model	Order no.	UP
Knürr Task LED	2 hinges (1 arm)	<b>00.350.179.9</b>	1 unit
Knürr Task LED L	3 hinges (2 arms)	<b>00.350.174.9</b>	1 unit



DAA20081

Knürr Task LED Flex



DAA20054

Knürr Task LED Flex L

• LED •

## Knürr Task LED Flex

The Knürr Task LED Flex brings the combination of lighting quality, energy efficiency, and design to a new level. The richly contrasting interaction between angular and elliptical forms lends it a unique character. The advantages of its cleverly designed thermal management are plain to see: higher energy efficiency, longer service life, and less heating up.

- Light and easy to adjust to your individual position
- Specially developed reflector for glare-free working
- Switch-off and dimming with a light touch of the touch-LED
- Intelligent Auto-Off function (after 14 h) reduces power consumption
- Maintenance free LED technology with a service life of up to 50,000 hours and more

### Technical data

- Color temperature neutral white 4,000 K
- Connected load 100-240 V; 50/60 Hz
- Power consumption approx. 7 W
- Luminous flux approx. 400 lm
- Luminous efficacy approx. 57 lm/W
- Illuminance efficiency factor 64 lx/W
- Color rendering index (CRI) >80
- Supplied with 2.3 m mains lead and with mains plug type CEE 7 / 16 (Euro plug),
- Various fastenings as accessories

### Color

Aluminum anodized

### Supply schedule

1 Knürr Task LED Flex  
(Please always order mounting adapter of choice)

Description	Model	Order no.	UP
Knürr Task LED Flex	Length approx. 30 cm	<b>00.350.169.9</b>	1 unit
Knürr Task LED Flex L	Length approx. 90 cm	<b>00.350.165.9</b>	1 unit

## Task



ACC20022

Workstation lamp Taneo

### LED Workstation Lamp Taneo

#### Technical data

- Fitted with: 24 x Light-emitting diode light color neutral white, 3800-4300 K, Color Rendering Index (CRI)=80
- Work equipment: electronic transformer
- Connected load: 100-240 V; 50/60 Hz
- Power consumption: approx. 31 W
- Glare-free: conical prismatic screen
- System of protection: IP 20
- Class of protection: II
- Usage: multi-function switch
- Luminaire body: material sectional, aluminum surface, anodised color, aluminum colored, anodised
- Lamp cover: acrylic clear
- Tubular sections: material tubular,

- aluminum section, surface anodized, Form tubular section upright, color aluminum colored anodised
- Balance of articulation joints: spring
- Weight (net): approx. 1.9 kg
- Mains lead approx. 3.3 m; mains plug CEE 7/XVI
- Fastening: screw-down flange,

#### Supply schedule

1 LED Workstation lamp Taneo

#### Please note

(Please always order mounting adapter of choice)

Picture: Herbert Waldmann GmbH & Co. KG

Order no.

00.350.167.9

UP

1 unit



• LED •

ACC20023

LED Magnifier Lamp „Tevisio“

### LED Magnifier Lamp Tevisio

#### Technical data

- Equipped with: 48 x LED, neutral white -3700 - 4200 K, color rendition index (CRI) 90
- Electronic transformer plug
- Mains: 100-240V; 50/60 Hz
- Power consumption: ca. 14 W
- Degree of protection: IP 20
- Protection class II
- Continuous dimming
- Multi-function switch
- Net weight: ca. 2.7kg
- BS 1363, CEE7/XVI, NEMA 1-15P
- Mounting: mounting flange, base
- Lense: 3,5 diopters

#### Dimensions

- Diam. magnifier lens: D160 mm
- Mains cable: ca. 3,4 m
- Schuko type plug

#### Material

Magnifier lens: glas

#### Color/Surfaces

- Housing:
  - ABS, black
- Cover:
  - Polyamide, matte (PA)
- Swivel arm:
  - Extruded aluminum profile, clear anodized

#### How supplied

1 LED Magnifier Lamp Tevisio

Picture: Herbert Waldmann GmbH & Co. KG

Order no.

00.350.155.1

UP

1 unit

# Task

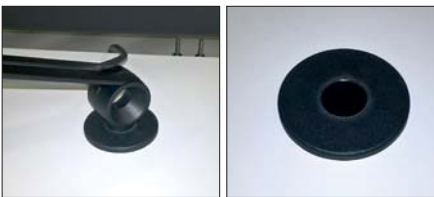


DAA20053

Mounting adaptor for functional rail

ACC20014

Mounting adaptor for Dacobas-Profile (side)



DAA20085

Tabletop mounting adaptor

DAA20086

Tabletop mounting adaptor



DAC20036

Mounting adaptor for Dacobas-Profile (top)

CON20017

Mounting adaptor for Elicon-Profile (top)



ACC20050

Universal mounting adaptor

## Mounting Adaptors for Task LED Lamp

### Important information

Our workstation lamps are supplied as standard with a universal adapter. Please order the corresponding adapter for the respective Knürr Console.

### Versions

**- Functional rail**  
for Installation on functional rails as used with Ergocon, Elicon or Dacobas

**- Dacobas Profile**  
for T-Slot installation on Dacobas and Elicon profiles at any height

**- Tabletop**  
for direct installation in the tabletop

**- Dacobas/Elicon Profile (top)**  
for fixation at the top side of Dacobas or Elicon Profiles

**- Universal mounting adaptor**  
for fixation at tabletops with a max. height of 70mm

### Supply schedule

- 1 Adaptor  
- Mounting material

### Color/Surfaces

Plastic / Aluminum powder coated

System	Color	Order no.	UP
Functional rail	RAL9006 white aluminum	<b>01.316.225.9</b>	1 set
Dacobas Profile	RAL9006 white aluminum	<b>01.316.256.9</b>	1 set
Tabletop adaptor	Black	<b>00.350.181.9</b>	1 unit
Dacobas-Profile (top)	RAL5008 grey blue	<b>00.350.156.1</b>	1 set
Elicon-Profile (top)		<b>00.351.031.7</b>	1 set
Universal mounting adaptor	Black	<b>00.350.180.9</b>	1 unit

Dimensions in mm: W = Width  
H = Height  
D = Depth  
h = Installation height  
d = Useful depth  
L = Length

HU = Standard height unit, 1 HU = 44.45 mm  
19" = 482.6 mm,  
(ideal for 19" components in acc. with DIN 41494)  
UP = Unit of packaging  
kg = Weight

Conversion: 1 inch = 25.4 mm  
1 pound = 453.6 g

Replace „x“ with the number of your color choice

# Workstation

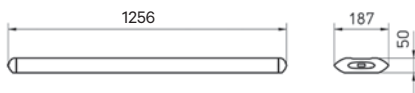


ACC20015

Knürr Console LED



## LED



## Knürr Console LED

### Highest Quality Of Light

The light dimming function adapts the amount of light to individual needs. Planar, homogeneous and flicker-free light relieves the eyes during work. Possible disturbing reflexions on bright surfaces are avoided with glare control.

### Task-oriented Technology

Knürr Console LED provides high illuminance and absolute glare-free illumination for perfect light at the workstation. The enclosed lamp housing with a flat and compact design prevents the intrusion of dirt and is easy to clean.

- Utmost homogenous glare- and flicker-free light
- Light output through parabolic louver for perfect glare suppression
- Continuously dimmable with lamp-mounted or remote switch
- Robust aluminum enclosure

### Finish

- Hard anodized white-aluminum
- Powder-coated RAL 9006 white aluminum

### Material

- Lamp enclosure: extruded aluminum, plastic

- Connection part: sheet-steel
- lamp rods: round steel tube

### Technical Data

#### Dimensions:

- Lamp enclosure: 1256 x 187 x 50 mm
- Round steel tube diameter 22 mm
- Weight: approx. 5.4kg

#### Light:

- Luminous flux 3200 lm
- Color of light: neutral white (EN 12464-1)
- Color temperature: 4000 K
- Color rendering index: Ra > 80

#### Electrical:

- Power consumption approx. 33 W
- Power supply: 220 – 240 V 50/60 Hz
- Integrated on/off switch
- 6 meter Schuko power cord

### Supply schedule

- 1 Knürr Console LED
- 2 Lamp rods
- Mounting material (for mounting to Knürr functional rail)
- version with external light dimming: 1 module with external button switch for on/off and dimming

Model	Order no.	UP
External light dimming	<b>00.350.177.9</b>	1 unit
Internal light dimming	<b>00.350.178.9</b>	1 unit

Dimensions in mm: W = Width  
 H = Height  
 D = Depth  
 h = Installation height  
 d = Useful depth  
 L = Length

HU = Standard height unit, 1 HU = 44.45 mm  
 19" = 482.6 mm, (ideal for 19" components in acc. with DIN 41494)  
 UP = Unit of packaging  
 kg = Weight

Conversion: 1 inch = 25.4 mm  
 1 pound = 453.6 g

Replace „x“ with the number of your color choice



# Workstation

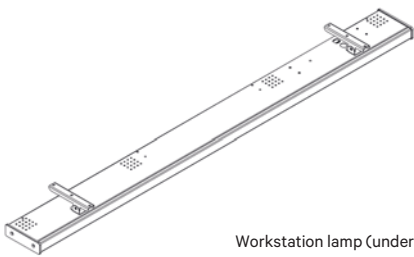


ACC20016

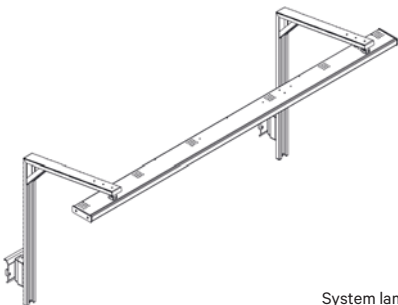


DAA20055

Knürr Lumax LED Lamp



Workstation lamp (underfit)



System lamp

## Knürr Lumax LED Lamp Workstation or system installation

- State of the art LED-Modules for highest efficiency
- Glare free
- Photometric properties checked according to DIN EN 13032-1
- Overdimensioned LED-Modules allow for dimming in the first years of use and thus grant extremely longevity
- Dimmable with „Touch DIM“ feature via push button on the lamp or at tabletop
- Perfect fit for Knürr consoles (adaptors for Knürr's multi functional rails)
- 20° tiltable

### Material

Sheet steel powder coated

### Color combinations

#### - Lamp:

Metallic grey microstructure

Side cover:

RAL 9007 grey aluminum microstructure

#### - Version system lamp:

.9 = supports in metallic grey microstructure

.7 = supports in RAL 9006 white aluminum

### Technical Data (W1140)

#### Dimensions:

- Width: 1140 mm

- Height: 30 mm (without mounting adapter)

- Depth: 100 mm

#### Light:

- Luminous flux 2160 lm

- Luminous efficiency: 80 lm/W

- Color temperature: 4000 K

- Color rendering index: Ra > 80
- SDCM: 4
- Dimming range: 1 – 100%
- Average lifetime (LED): 50.000 h

#### Electrical:

- Power consumption max. 27 W

- Power supply: 220 – 240 V 50/60 Hz

### Technical Data (W1700)

#### Dimensions:

- Width: 1700 mm

- Height: 30 mm (without mounting adapter)

- Depth: 100 mm

#### Light:

- Luminous flux 3255 lm

- Luminous efficiency: 83 lm/W

- Color temperature: 4000 K

- Color rendering index: Ra > 80

- SDCM: 4

- Dimming range: 1 – 100%

- Average lifetime (LED): 50.000 h

#### Electrical:

- Power consumption max. 39 W

- Power supply: 220 – 240 V 50/60 Hz

### Supply schedule

- 1x LED lamp with integrated LED driver
- Version with offset switch: 1x module with external push button for switching and dimming
- Overhead system lamp: with adaptors to Knürr's multi functional rail
- 1x Schuko lead (3m)
- Mounting material

### How supplied

Pre-assembled

Description	Model	Order no.	UP
Knürr Lumax LED 1140U 4000K int.	Workstation lamp with integrated push button	<b>00.350.182.9</b>	1 unit
Knürr Lumax LED 1140U 4000K ext.	Workstation lamp with offset push button (below table top)	<b>00.350.183.9</b>	1 unit
Knürr Lumax LED 1700U 4000K int.	Workstation lamp with integrated push button	<b>00.350.186.9</b>	1 unit
Knürr Lumax LED 1700U 4000K ext.	Workstation lamp with offset push button (below table top)	<b>00.350.187.9</b>	1 unit
Knürr Lumax LED 1140B 4000K ext.	System lamp with offset push button (below table top)	<b>00.350.185.7</b>	1 unit
Knürr Lumax LED 1140B 4000K ext.	System lamp with offset push button (below table top)	<b>00.350.185.9</b>	1 unit
Knürr Lumax LED 1700B 4000K ext.	System lamp with offset push button (below table top)	<b>00.350.189.7</b>	1 unit
Knürr Lumax LED 1700B 4000K ext.	System lamp with offset push button (below table top)	<b>00.350.189.9</b>	1 unit

# Workstation



ACC20017



ACC20018

Knürr Smart LED

## Knürr Smart LED

Modern LED underfit lamp for installation beneath a workstation superstructure level.

- LED technology for optimum energy efficiency
- Frosted glass cover prevents direct glare
- Integrated electronic power supply for a slim design
- Easy to reach on/off switch
- lamp tiltable by 15°
- Simple assembly

**Material**  
Sheet-steel, powder-coated

**Finish**  
Powder-coating RAL 9006 white-aluminum

**Technical Data**  
**Dimensions:**  
- Overall height: approx. 80 mm  
- Overall width: see table

### Light:

- Luminous flux:  
1100 lm (version W 700 mm)  
1780 lm (version W 1300 mm)
- Color of light: neutral white (EN 12464-1)
- Color temperature: 4000 K
- Color rendering index: Ra > 80

### Electrical:

- Power consumption max.  
10 W (version W 700 mm)  
18 W (version W 1300 mm)
- Power supply: 220 – 240 V 50/60 Hz
- Integrated on/off switch
- C13 mounting socket
- 2.0m Schuko power cord

### Supply Schedule

- 1 Lamp Smart LED
- 1 Mounting material
- 1 Power cord

Model	W	Order no.	UP
Underfit lamp	700	<b>00.350.190.9</b>	1 unit
Underfit lamp	1300	<b>00.350.191.9</b>	1 unit

Dimensions in mm: W = Width  
H = Height  
D = Depth  
h = Installation height  
d = Useful depth  
L = Length

HU = Standard height  
unit, 1 HU = 44.45 mm  
19" = 482.6 mm,  
(ideal for 19" components  
in acc. with DIN 41494)

UP = Unit of packaging  
kg = Weight

Conversion: 1 inch = 25.4 mm  
1 pound = 453.6 g

Replace „x“ with the number of your color choice



## Room Level

• LED •



ACC20019

Knürr Console LED pendant

### Knürr Console LED pendant

Pendant luminaire. Suspended ceiling mount in extra flat design does not block the view to large screen display walls with multiple console desks. Direct light portion with Edgelight and Lightguide technology for homogeneous light emission. Indirect light portion with Batwing diffusor for a wide light emission. Absolutely glare-free. Variable ceiling distance (0.3 – 0.7 m) allows use in room heights from 2.5 and 4.2 m. Easy installation: Only needed is a Schuko or GST18 socket in the ceiling. Lamp control with existing light management system (DALI) or with Knürr Control LED remote unit.

#### Finish

Powder-coated white

#### Material

- Sheet-steel, powder-coated  
- Lamp cover: Acrylic (PMMA) clear (colorless)

#### Technical Data

- Fitted with LED
- Connection: 220 – 240 V; 50/60 Hz
- Power consumption: approx. 49 W
- Luminous flux: 7000 lm
- Luminous efficiency: 143 lm/W
- Direct light portion: approx. 34%
- Color of light: neutral white, approx. 4000 K
- Color rendering index: Ra > 80
- Color tolerance: < 3 SDCM
- Luminance: < 2500 cd/m<sup>2</sup>
- UGR class: < 16

#### Supply Schedule

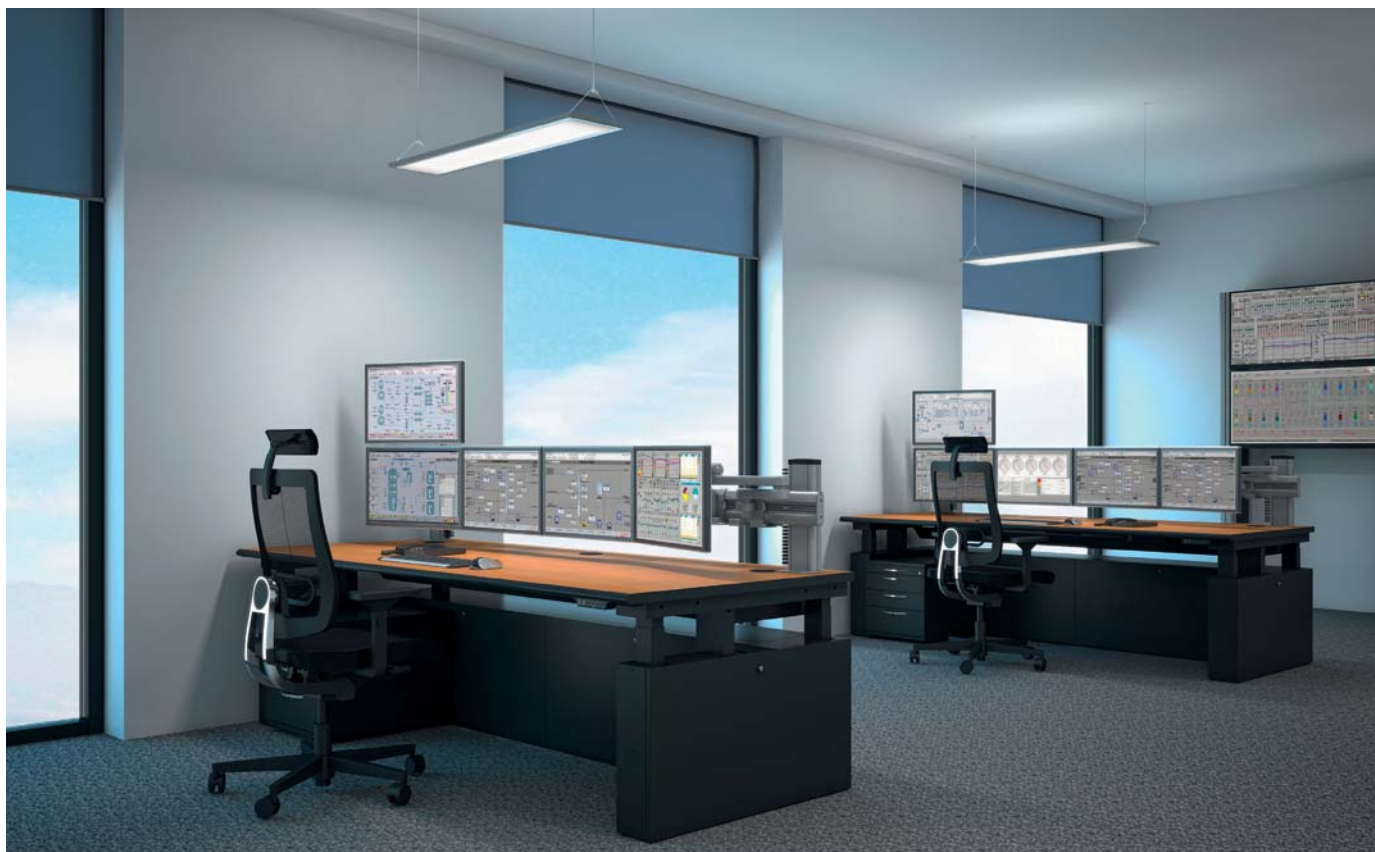
- 1 Knürr Console pendant with radio-controlled receiver
- 1 Mounting material

#### Note

- Linking possible upon request. Please contact us!
- Wireless control Knürr Control LED to be ordered separately!

Picture: Herbert Waldmann GmbH & Co. KG

Model	Order no.	UP
Knürr Console LED pendant	00.350.193.9	1 unit



ACC20013

## Room Level



ACC20020

Knürr Console LED stand



ACC20021

### Knürr Console LED stand

Floor lamp for positioning in front or side of workstations. Ideal for subsequent improvement of the workstation light situation without installation. Glare-free with light emission through prism aperture. For room height between 2.5 and 3.5 m. Controlled with Knürr Control LED remote or existing light management system (DALI).

#### Finish

Powder-coated white

#### Material

- Sheet-steel powder-coated
- Lamp cover Acrylic (PMMA) clear (colorless)

#### Technical Data

- Fitted with LED
- Connection: 220 – 240 V; 50/60 Hz

- Power consumption: approx. 87 W
- Stand-by: approx. 0.30 W
- Luminous flux: 12000 lm
- Luminous efficiency: 136 lm/W
- Direct light portion: approx. 15%
- Color of light: neutral white, approx. 4000 K
- Color rendering index: Ra > 80
- Color tolerance: < 3 SDCM
- Luminance: < 2500 cd/m<sup>2</sup>
- UGR class: < 16
- Height: approx. 2040 mm

#### Supply Schedule

- 1 Knürr Console LED stand with radio-controlled receiver
- 1 Mounting material

#### Note

Wireless control Knürr Control LED to be ordered separately!

Picture: Herbert Waldmann GmbH & Co. KG

Model	Order no.	UP
Knürr Console LED stand	00.350.197.9	1 unit



### Knürr Control LED remote

Modern workstation illumination are almost always controlled from a control panel below the tabletop front edge. The Knürr Control LED remote works without control cable from console to room ceiling by use of the Europe-wide approved 868 MHz standard (not susceptible to interference).

The usual control panel gets replaced by an identical unit with built-in radio transmitter. One or more room lights can be controlled from one control panel or also, several control panels can have access to the common room lighting.

#### Technical Data

- Connection: 220 – 240 V; 50/60 Hz
- Radio frequency: 868.3 MHz
- Connection: Schuko (control panel)

#### Supply Schedule

- 1 radio control unit (control panel)

Model	Order no.	UP
Knürr Control LED remote	00.350.199.9	1 unit

Dimensions in mm: W = Width  
 H = Height  
 D = Depth  
 h = Installation height  
 d = Useful depth  
 L = Length

HU = Standard height unit, 1 HU = 44.45 mm  
 19" = 482.6 mm, (ideal for 19" components in acc. with DIN 41494)  
 UP = Unit of packaging  
 kg = Weight

Conversion: 1 inch = 25.4 mm  
 1 pound = 453.6 g

Replace „x“ with the number of your color choice