

# PROFESSIONAL DISPLAY MOUNTS

207 to 212



ACC20026



CIC20034

## Knürr Elicon® VideoWall Structure 2x2, free-standing

- Modular and expandable VideoWall system
  - Simple assembly on site due to the Factory pre-assembled components
  - Stable and flexible mounting of the Large screens on the monitor crossbar
  - Telescopic display mounts guarantee best maintenance access
  - Completely concealed cabling with toolless removable covers
- **Material**
    - Side pieces: Extruded aluminium profiles and aluminium head piece, foot stabilizer made of die-cast aluminium, side covers made of sheet steel, powder-coated
    - Crossbars: extruded aluminium profile with sheet steel carrier, powder-coated
    - Monitor holder: sheet steel, powder-coated
  - **Finish**
    - VideoWall base structure completely in RAL 9006, whitealuminium
    - Display mounts: black
- **Dimensions**
    - Total width appr. 2100mm
    - Clear width 2000mm
    - Side panel height 2500mm, depth 1115mm, width 50mm
  - **Note**
    - Further dimensions and configurations on request
  - **Supply schedule**
    - 2 side pieces with integrated vertical cable routing and leg stabilizer front and rear for highest stability
    - 2 monitor crossbars with integrated cable guide for fastening the large screens
    - 4 Monitor holder telescopic, for monitors up to VESA 800x400, respectively 50 kg
    - 1 Perforated sheet wall H550 mm front
    - Mounting material
  - **How supplied**
    - Pre-assembled units



ACC20054

W	H	Order no.	UP
2100	2500	Knürr Elicon® VideoWall Structure	04.501.099.7 1 unit

## Knürr Elicon® VideoWall electrically height adjustable

- Height adjustable VideoWall system, for 1 or 2 large screen monitors.
  - The height adjustment (600mm) is made directly together with the connected console.
  - Easy assembly on site due to pre-assembled components.
  - Stable and flexible attachment of the large screens to the monitor crossbars.
  - Telescopic display mounts guarantee best maintenance access.
- **Material**
    - Side panels: Extruded aluminium profiles and aluminium head section, die-cast aluminium foot stabilizer, powder-coated sheet steel side covers.
    - Crossbars: Extruded aluminium profile with powder-coated sheet steel support.
    - Monitor holder: sheet steel, powder-coated.
  - **Surface**
    - VideoWall base frame complete in RAL9006, White Aluminium
    - Monitor holder: black
  - **Supply schedule**
    - 2 Side elements H2500, free-standing version
    - 1 Monitor traverse, electrically height adjustable
    - 2 perforated panels at the lower front side
    - 4 perforated panels at the rear side
  - **Version for 1 Monitor (W1000):**
    - 1 telescopic monitor holder for monitors with VESA 800x400 or max. 50kg
  - **Version for 2 Monitors (W2000):**
    - 2 telescopic monitor holders for monitors with VESA 800x400 or max. 50kg
  - **How supplied**
    - Pre-assembled modules



W	H	Order no.	UP
1100	2500	HA-Videowall for 1 monitor	04.501.097.7 1 unit
2100	2500	HA-Videowall for 2 monitors	04.501.098.7 1 unit

## Knürr Elicon® VideoWall Side Piece

- Design harmonized with Knürr Ergocon® and Knürr Elicon® VC / VC-E consoles.
- Large-volume cable management with much space and best accessibility
- Toolless removable covers, continuous on the outside and segmented on the inner side and in the Interlinking area.

### Type 1:

- Long leg stabilizer (front and rear), for free-standing installation in the room

### Type 2:

- Leg stabilizer at the front, for installation in front of a Wall (incl. 1 wall mounting bracket)

### Type 3:

- Without leg stabilizer, for installation in front of a Wall (incl. 2 wall mounting brackets)

### • Finish

- Side pieces complete in RAL 9006, whitealuminum

### • Dimensions

- Depth: Type 1: 1115 mm, Type 2: 800 mm, Type 3: 330 mm
- Width: 50 mm
- Height: depending on version, 2500 mm or 3000 mm

### • Supply schedule

- 1 Side panel, with integrated vertical cable routing

### • How supplied

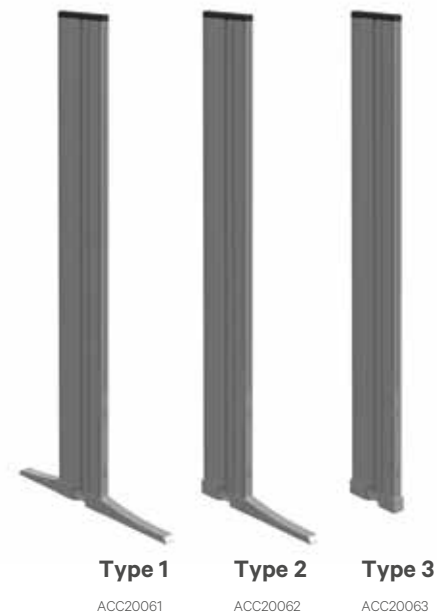
- Pre-assembled

### • Note

- For versions with wall mounting bracket are the fixing accessories on the wall not included in delivery scope

### • Material

- Side pieces: Extruded aluminium profiles and aluminium head piece, foot stabilizer made of die-cast aluminium, side covers made of sheet steel, powder-coated



Type 1

ACC20061

Type 2

ACC20062

Type 3

ACC20063

W	H	D	End- Side Piece H2500	Order no.	UP
50	2500	1115	free-standing (Type 1)	04.501.100.7	1 unit
50	2500	800	leg stabilizer at the front (Type 2)	04.501.101.7	1 unit
50	2500	330	without leg stabilizer (Type 3)	04.501.102.7	1 unit

W	H	D	End- Side Piece H3000	Order no.	UP
50	3000	1115	free-standing (Type 1)	04.501.110.7	1 unit
50	3000	800	leg stabilizer at the front (Type 2)	04.501.111.7	1 unit
50	3000	330	without leg stabilizer (Type 3)	04.501.112.7	1 unit

W	H	D	Connection Side Piece H2500	Order no.	UP
50	2500	1115	free-standing (Type 1)	04.501.105.7	1 unit
50	2500	800	leg stabilizer at the front (Type 2)	04.501.106.7	1 unit
50	2500	330	without leg stabilizer (Type 3)	04.501.107.7	1 unit

W	H	D	Connection Side Piece H3000	Order no.	UP
50	3000	1115	free-standing (Type 1)	04.501.115.7	1 unit
50	3000	800	leg stabilizer at the front (Type 2)	04.501.116.7	1 unit
50	3000	330	without leg stabilizer (Type 3)	04.501.117.7	1 unit



We also offer LCD-screens for 24/7 use in control rooms as well as professional video control hard- and software in corporation with our well known partners.

**Please let us know your requirements!**

**Dimensions in mm:** W = Width  
H = Height  
D = Depth  
h = Installation height  
d = Usable depth  
L = Length

HEA = electronically height adjustable  
HA = height-adjustable

UP = Unit of packaging  
kg = Weight

**Conversion:** 1 inch = 25,4 mm

Replace „x“ with the number of your color choice

## Knürr Elicon® VideoWall Monitor traverse

- Sturdy traverse made of extruded aluminium profile in combination with a 3mm sheet steel cross beam
  - Large-volume cable management with plenty of space for cables, power supplies, thin clients or switches
  - Cable routing already integrated in the traverse
  - With integrated T-slots for mounting Knürr DI-STRIP® socket strips and accessories
- **Material**
    - Cross beam : extruded aluminium profile
    - Monitor traverse and mounting bracket: sheet steel
  - **Finish**
    - Complete in RAL 9006, white aluminium
- **Dimensions**
    - Clear width between the side pieces: 1000mm or 2000mm
  - **Supply schedule**
    - 1 monitor traverse, with integrated horizontal cable routing
  - **How supplied**
    - Pre-assembled
  - **Note**
    - To stabilise the wall, either a cross beam or a perforated sheet metal wall is required in the lower area.



ACC20057



ACC20056

W	H	D	Order no.	UP	
1000			Monitor traverse W1000	04.501.120.7	1 unit
2000			Monitor traverse W2000	04.501.125.7	1 unit

## Knürr Elicon® VideoWall Lower Cross beam

- Sturdy cross beam made of extruded aluminium profile for transverse reinforcement of the base frame, e.g. if only one monitor cross member is used.
  - With integrated T-slots for mounting Knürr DI-STRIP® socket strips and other accessories.
- **Material**
    - Cross beam : extruded aluminium profile
    - Mounting bracket: sheet steel
  - **Finish**
    - Complete in RAL 9006, white aluminium
- **Dimensions**
    - Clear width between the side pieces: 1000mm or 2000mm
  - **Supply schedule**
    - 1 lower cross beam with mounting material
  - **How supplied**
    - Pre-assembled
  - **Note**
    - To stabilise the wall, either a cross beam or a perforated sheet metal wall is required in the lower area.



ACC20058



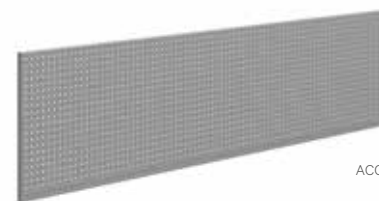
ACC20056

W	H	D	Order no.	UP	
1000			Lower cross beam W1000	04.501.140.7	1 unit
2000			Lower cross beam W2000	04.501.145.7	1 unit

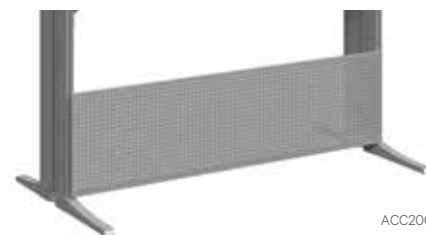
## Knürr Elicon® VideoWall Perforated sheet panel

- For installation below the monitors on the front side or as a complete cladding on the rear side (for freestanding versions).
- Simple assembly due to clever suspension mechanism
- Several rear panels can be easily mounted on top of each other
- **Material**
  - Sheet steel, powder-coated
- **Finish**
  - RAL 9006, white aluminium
- **Supply schedule**
  - 1 perforated panel with mounting material
- **Note**
  - To stabilise the wall, either a cross beam or a perforated sheet metal wall is required in the lower area.

W	H	D	Order no.	UP	
1000			Perforated sheet panel W1000 H550	04.501.150.7	1 unit
2000			Perforated sheet panel W2000 H550	04.501.155.7	1 unit



ACC20059



ACC20060

## Knürr Elicon® VideoWall Telescopic Monitor Holder

- Suitable for Displays up to 50kg
- VESA mounting 100x100 - 800x400 mm
- Tool-less design for comfortable discontinuation
- Push-out holder for simple maintenance access
- Fast and easy alignment of the displays
- **Material**
  - Sheet steel, powder-coated
- **Finish**
  - Schwarz, RAL 9011
- **Supply schedule**
  - 1 set of monitor holder
  - Mounting material
- **How supplied**
  - Pre-assembled set

Order no.	UP	
VideoWall Telescopic Monitor Holder	04.501.018.9	1 Set (for 1 monitor)



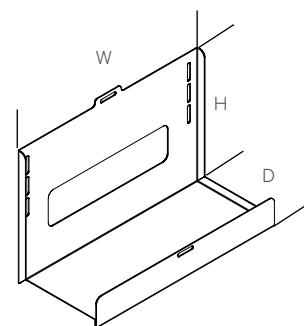
ACC20055

## Knürr Thin Client

### Thin client mounting bracket:

- Mounted on the rear of the Knürr monitor traverse for short cable runs
- With eyelets for optional retaining straps (not included)

W	H	D	Order no.	UP	
345	234	150	Thin Client mounting bracket	04.412.195.8	1 unit



SYN20200

**Dimensions in mm:** W = Width  
H = Height  
D = Depth  
h = Installation height  
d = Usable depth  
L = Length

HEA = electronically height adjustable  
HA = height-adjustable

UP = Unit of packaging  
kg = Weight

**Conversion:** 1 inch = 25,4 mm  
Replace „x“ with the number of your color choice

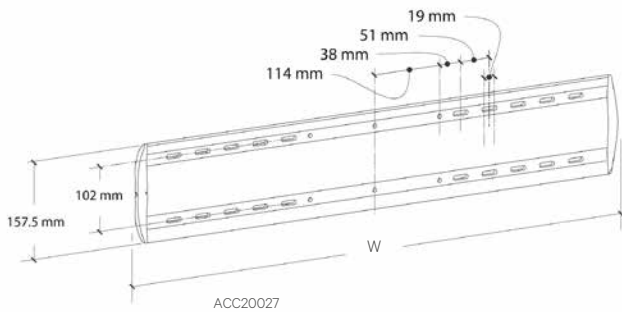
## Wall Mounting Bracket Tiltable

- For large flatscreens up to VESA 600x400 (XL-version VESA 800x400)
  - Easy mounting
  - More viewing comfort – effortless tilting, prevents bothersome reflections
  - Security lock against unauthorized flat screen removal
  - Up to 79 kg load capacity
- **Supply schedule**
    - 1 mounting rail
    - 2 mounting brackets
    - Mounting material
  - **How supplied**
    - Flat-packed kit
  - **Dimensions**
    - Tilt angle +15° / -5°
    - Wall distance 89 mm
  - **Material**
    - Aluminum extrusion rail
    - Sheet steel mounting bracket
    - Plastic caps
  - **Finish**
    - Metal parts – powder-coated, RAL 9006, white aluminum

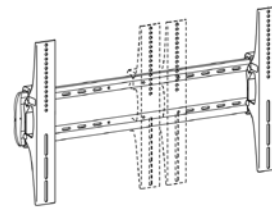


ACC20026

W	H	D		Order-no.	UP
704	157,5	89	Wall Mounting Bracket, tilttable	01.316.270.0	1 unit
900	157,5	89	Wall Mounting Bracket, tilttable XL	01.316.271.0	1 unit



ACC20027



## Monitor Ceiling Mount (200 cm)

- Robust and adjustable monitor ceiling mount. Securely fits LCD-, LED- and Plasma displays
  - Power and signal cable run hidden inside the mounting tube
  - Mounting tube rotatable for ideal monitor orientation
  - For monitors from 40"
  - Load rating up to 60 kg
  - Inclination adjustable 0° - 11°
  - VESA
    - 400x200, 600x200
    - 300x300
    - 400x400, 600x400
- **Material/Finish**
    - Sheet-steel, welded
    - Powder-coated RAL 7021 black-grey
  - **Supply Schedule**
    - **Set, consists of**
      - ceiling plate
      - mounting tube (2000 mm)
      - Monitor adapter
  - **How Supplied**
    - Set
  - **Note**
    - Additional mounting tube length available on request (1000mm and 3000mm)



ACC20028

Type	Order no.	UP
Monitor Ceiling Mount	01.316.262.9	1 unit