

# Mobile Equipment Carriers

Knürr SynergyCart® Advanced

Page 29 to 35



## Knürr SynergyCart® Advanced Strong points

### • The ergonomical equipment carrier

- Mobile, height-adjustable LCD workstation
- Supports computers, bar code scanners and printers
- Test trolley in production / workshop
- Warehouse picking, scanner carts
- Ideal for automotive and industrial projects where small space-saving trolleys with cable management are required
- Fully assembled and ready for use
- Tested according to the latest standards and regulations
- Stable, attractive base in 2 versions:
  - Synergy Cart Advanced
  - Synergy Cart Advanced MetraLine

### • Characteristics

- Flexible height adjustable by gas pressure column - 750-1040 mm
- Comfortable working in sitting or standing position

- Easy handling with in the worktop integrated handles
- Ergonomic lever for safe and comfortable height adjustment
- Spacious and stable worktop, made of 15 mm HPL solid core material (width 695 mm, depth 570 mm) for loads up to 16kg
- Either with single or double steering rollers
- Easy movement on uneven floors or above doorsills through ø 125 mm smooth running castors
- Fixation by two castors with locking mechanism
- No scratches on doors, walls and furniture due to integrated plastic bumper caps
- Simple, individual assembly of accessory components, e.g. drawers and storage shelves on the vertical aluminum profile
- User-friendly cable management with plenty of space for cables, sockets and transformers



SYN20210



SYN20213

#### Dimensions in mm:

W = Width	HU = Standard height
H = Height	unit, 1 HU = 44,45 mm
D = Depth	19" = 482,6 mm,
h = Installation height	(ideal for 19" components
d = Useful depth	in acc. with DIN 41494)
L = Length	UP = Unit of packaging
	kg = Weight

#### Conversion: 1 inch = 25,4 mm

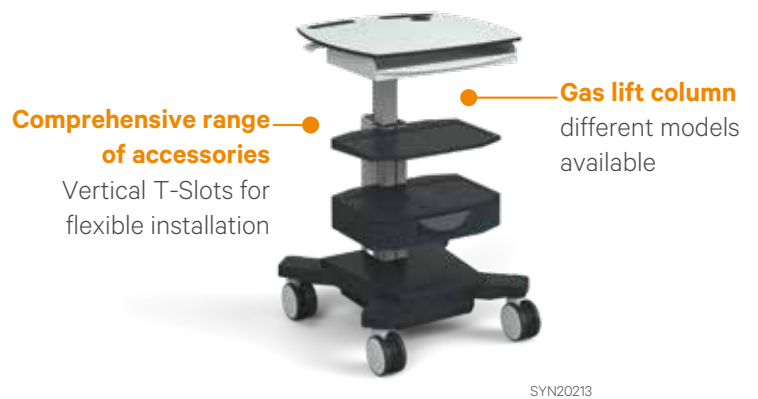
Replace „x“ with the number of your color choice

## SynergyCart

Advanced Metra Line

## SynergyCart

Advanced



### Individual Project Solutions – Contact Us!

**Many application scenarios demand a project specific solution.**

When planning, manufacturing, and assembling your individual requirements, Knürr takes multiple factors into account, including your personal requirements as

well as legal guidelines. Industrial designers and Technicians closely cooperate at our product design department to bring form and function in line. The resulting designs are regularly tested by means of 3D-CAD models and you are welcome to incorporate

your ideas any time. Any required prototypes are manufactured by experts who translate your wishes and ideas into a real product.

## Knürr SynergyCart® Advanced

- Base unit in Synergy design
  - Large leg space
  - Double castors in Ø 125mm
- **Finish**
    - .1 RAL 7035, light grey
    - .9 RAL 7021, dark grey
  - **Supply schedule**
    - 1 base unit with gas lift column and aluminum profile cover
    - 4 Double castors (2 lockable)
    - 1 worktop with integrated handles
  - **How supplied**
    - Fully assembled

W	H	D	d	Order no.	UP
				00.705.510.x	1 unit



MOB20135

## Knürr SynergyCart® Advanced Metra Line

- Large base unit for different equipment like printers
  - Smooth running castors in Ø 125mm
- **Finish**
    - .1 RAL 7035, light grey
    - .9 RAL 7021, dark grey
  - **Supply schedule**
    - 1 base unit with gas lift column and aluminum profile cover
    - 4 castors (2 lockable)
    - 1 worktop with integrated handles
  - **How supplied**
    - Fully assembled

W	H	D	d	Order no.	UP
				00.705.500.x	1 unit



MOB20136

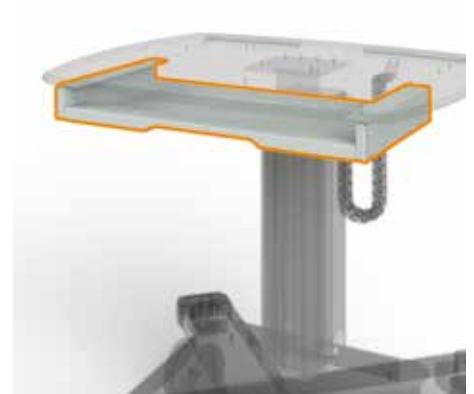
**Dimensions in mm:** W = Width  
 H = Height  
 D = Depth  
 h = Installation height  
 d = Useful depth  
 L = Length

HU = Standard height  
 unit. 1 HU = 44,45 mm  
 19" = 482,6 mm,  
 (ideal for 19" components  
 in acc. with DIN 41494)  
 UP = Unit of packaging  
 kg = Weight

**Conversion:** 1 inch = 25,4 mm  
 Replace „x“ with the number of your  
 color choice

## Knürr SynergyCart® Keyboard Drawer

- Creates space on your worktop
  - Legroom is always granted
  - Keyboard drawer latches in closed and extended position
  - Easy retrofit
- **Material / Surface**
    - Sheet steel, powder-coated
  - **Color**
    - RAL7035 light grey
  - **Dimensions**
    - Width: 536 mm
    - Height: 56 mm
    - Depth: 276 mm
- **Max. usable dimensions**
    - Width: 500 mm
    - Height: 45 mm
    - Depth: 218 mm
  - **Supply schedule**
    - 1 Keyboard drawer
    - Mounting material
  - **How supplied**
    - pre-assembled



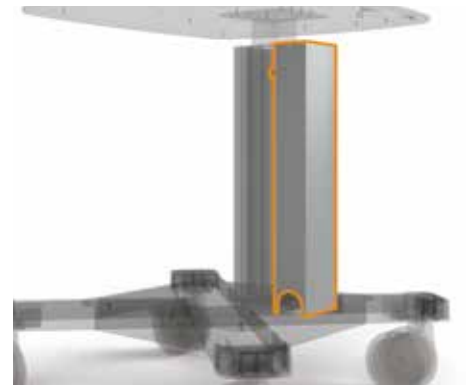
MOB20138

Model	Order no.	UP
Keyboard drawer	00.705.550.1	1 unit

## Knürr SynergyCart® Cable Duct

- Toolless installation
  - Clean cabling
  - Ready for installation of Knürr DI-Strip PDU's (4 sockets)
- **Material / Surface**
    - RAL 9006 White aluminum
  - **Supply schedule**
    - 1 Cable Duct

Model	Order no.	UP
Cable Duct	00.705.555.9	1 unit

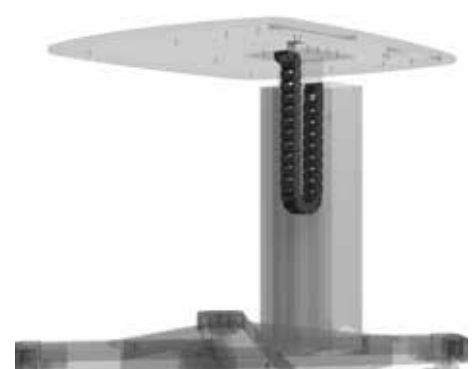


MOB20139

## Knürr SynergyCart® Cable Chain

- Non pinch and anti tangle cable guiding
- Defined cable radii
- **Material / Surface**
  - Plastic black
- **Supply schedule**
  - 1 Cable Chain
- **Note**
  - Cable chain installation works only together with cable duct

Model	Order no.	UP
Cable Chain	00.705.560.9	1 unit

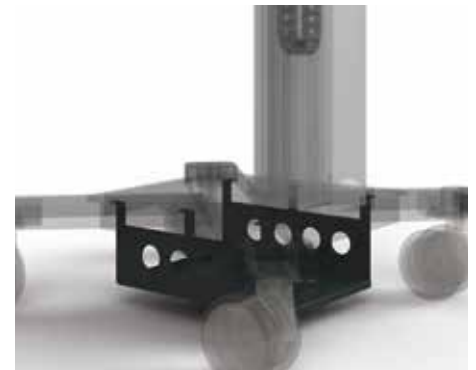


MOB20140

## Knürr SynergyCart® Transformer Tray

- Low Center of Gravity
- Securely holds transformers, batteries etc.
- Lateral and bottom cooling vents
- **Material / Surface**
  - .1: RAL 7035 light grey
  - .9: RAL 7021 dark grey
- **Dimensions (usable)**
  - Width 290 mm,
  - Depth 320 mm
  - Height 104 mm
- **Supply schedule**
  - 1 Transformer Tray

Model	Order no.	UP
Knürr SynergyCart® Advanced Metra Line	00.705.565.x	1 unit
Knürr SynergyCart® Advanced	00.705.570.x	1 unit



MOB20141

## Knürr SynergyCart® Holder for Tower PC

- Adjustable clamp for fixation of mini-tower PC's
- **Material**
  - Sheet steel, powder-coated
- **Finish**
  - .1: RAL 7035 light gray
  - .9: RAL 7021 dark grey
- **Dimensions**
  - Adjustable width, 160 - 220 mm
  - Height-variable with T-slot-mounting
- **Supply schedule**
  - 1 PC fixation kit
  - Mounting material

W	Order no.	UP
160 - 220	00.705.236.x	1 unit



syn20024

**Dimensions in mm:** W = Width  
 H = Height  
 D = Depth  
 h = Installation height  
 d = Useful depth  
 L = Length  
 HU = Standard height unit, 1HU = 44.45 mm  
 19" = 482.6 mm, (ideal for 19" components in acc. with DIN 41494)  
 UP = Unit of packaging  
 kg = Weight

**Conversion:** 1 inch = 25.4 mm  
 Replace „x“ with the number of your color choice

## Monitor Arms

- Monitor arms for mounting flat screens with the 75 and 100 mm VESA mounting
- With cable management
- **Supply schedule**
  - 1 flat screen support
  - Type E, F and G come with height adjustment plate
  - Mounting material
- **How supplied**
  - Flat-packed kit
- **Finish / Material Type D-G**
  - Swivel arm: die-cast aluminium
  - Adapter plates: sheet steel
  - Gas spring arm covers: plastic
  - Metal parts: powder-coated, RAL 9006, White aluminum, smooth
  - Gas spring arm housing – type B/C:
    - Plastic, light grey

Model	Height adjustment plate	Load-bearing capacity	Order no.	UP
Type D, for Pole		6 Kg	01.316.250.9	1 unit
Type E, for Pole	•	6 Kg	01.316.251.9	1 unit
Type F, for Pole	•	6 Kg	01.316.252.9	1 unit
Type G, for Pole (2x180mm)	•	6 Kg	01.316.253.9	1 unit
Single connector			01.316.224.9	1 unit
Add on Monitor Poles (H400)			01.316.233.9	1 unit

• **Please note**

- Monitor arms for monitor poles come without mounting adaptors for functional rails.
- In order to install with monitor poles, please also order single connector.
- **Please observe the leverage ratio and load bearing capacity from the following table of add-on monitor posts.**



Type D

CIC20031



Type E

CIC20032



Type F

CIC20033



Type G

CIC20034

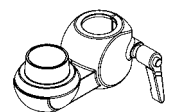


Single connector

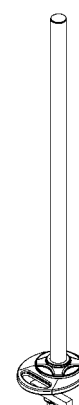
KON20086

## Load bearing matrix for add-on monitor posts

Maximum weight per monitor (kg)	Type D (short)	Type E (180 mm)	Type F (250mm)	Type G (360mm)
Height 400 1x single connector	6 kg	6 kg	6 kg	6 kg



Single connector



ACC20029

## Knürr SynergyCart® Drawer

- Can be ergonomically mounted at any height, stepless
  - With drawer safety catch against unintentional opening
- **Material**
    - **Main unit and drawer:**
      - Sheet steel, powder-coated
    - **Handle:**
      - Plastic, black
  - **Finish**
    - .1: RAL 7035 light grey
    - .9: RAL 7021 dark grey
  - **Dimensions**
    - width, 505 mm; depth, 350 mm; height, 110 mm
    - drawer width, 425 mm; depth, 265 mm; height, 90mm
  - **Load rating**
    - Housing, 10 kg; extension, 2 kg
  - **Supply schedule**
    - 1 drawer module
    - Mounting material



MOB20137

W	H	D	Order no.	UP
500	110	300	00.705.275.x	1 unit

## Knürr SynergyCart® Shelf

- Can be ergonomically mounted at any height, stepless
  - Torsion-free and stable
  - With recessed surface to prevent sliding and for anti-slip mats
- **Material**
    - Sheet steel, powder-coated
  - **Finish**
    - .1: RAL 7035 light grey
    - .9: RAL 7021 dark grey
  - **Load rating**
    - 15 kg
  - **Supply schedule**
    - 1 Shelf
    - Mounting material



MOB20137

W	T	Order no.	UP
500	300	00.705.225.x	1 unit

**Dimensions in mm:** W = Width  
H = Height  
D = Depth  
h = Installation height  
d = Useful depth  
L = Length

HU = Standard height unit, 1 HU = 44,45 mm  
19" = 482,6 mm,  
(ideal for 19" components in acc. with DIN 41494)  
UP = Unit of packaging  
kg = Weight

**Conversion:** 1 inch = 25,4 mm  
Replace „x“ with the number of your color choice