

# PROFESSIONAL DISPLAY MOUNTS

207 to 212



ACC20026



CIC20034

## Knürr Elicon® VideoWall Structure 2x2, free-standing

- Modular and expandable VideoWall system
  - Simple assembly on site due to the Factory pre-assembled components
  - Stable and flexible mounting of the Large screens on the monitor crossbar
  - Telescopic display mounts guarantee best maintenance access
  - Completely concealed cabling with toolless removable covers
- **Material**
    - Side pieces: Extruded aluminium profiles and aluminium head piece, foot stabilizer made of die-cast aluminium, side covers made of sheet steel, powder-coated
    - Crossbars: extruded aluminium profile with sheet steel carrier, powder-coated
    - Monitor holder: sheet steel, powder-coated
  - **Finish**
    - VideoWall base structure completely in RAL 9006, whitealuminium
    - Display mounts: black
- **Dimensions**
    - Total width appr. 2100mm
    - Clear width 2000mm
    - Side panel height 2500mm, depth 1115mm, width 50mm
  - **Note**
    - Further dimensions and configurations on request
  - **Supply schedule**
    - 2 side pieces with integrated vertical cable routing and leg stabilizer front and rear for highest stability
    - 2 monitor crossbars with integrated cable guide for fastening the large screens
    - 4 Monitor holder telescopic, for monitors up to VESA 800x400, respectively 50 kg
    - 1 Perforated sheet wall H550 mm front
    - Mounting material
  - **How supplied**
    - Pre-assembled units



ACC20054

W	H	Order no.	UP
2100	2500	Knürr Elicon® VideoWall Structure	04.501.099.7 1 unit

## Knürr Elicon® VideoWall electrically height adjustable

- Height adjustable VideoWall system, for 1 or 2 large screen monitors.
  - The height adjustment (600mm) is made directly together with the connected console.
  - Easy assembly on site due to pre-assembled components.
  - Stable and flexible attachment of the large screens to the monitor crossbars.
  - Telescopic display mounts guarantee best maintenance access.
- **Material**
    - Side panels: Extruded aluminium profiles and aluminium head section, die-cast aluminium foot stabilizer, powder-coated sheet steel side covers.
    - Crossbars: Extruded aluminium profile with powder-coated sheet steel support.
    - Monitor holder: sheet steel, powder-coated.
  - **Surface**
    - VideoWall base frame complete in RAL9006, White Aluminium
    - Monitor holder: black
  - **Supply schedule**
    - 2 Side elements H2500, free-standing version
    - 1 Monitor traverse, electrically height adjustable
    - 2 perforated panels at the lower front side
    - 4 perforated panels at the rear side
  - **Version for 1 Monitor (W1000):**
    - 1 telescopic monitor holder for monitors with VESA 800x400 or max. 50kg
  - **Version for 2 Monitors (W2000):**
    - 2 telescopic monitor holders for monitors with VESA 800x400 or max. 50kg
  - **How supplied**
    - Pre-assembled modules



W	H	Order no.	UP
1100	2500	HA-Videowall for 1 monitor	04.501.097.7 1 unit
2100	2500	HA-Videowall for 2 monitors	04.501.098.7 1 unit

## Knürr Elicon® VideoWall Side Piece

- Design harmonized with Knürr Ergocon® and Knürr Elicon® VC / VC-E consoles.
- Large-volume cable management with much space and best accessibility
- Toolless removable covers, continuous on the outside and segmented on the inner side and in the Interlinking area.

### Type 1:

- Long leg stabilizer (front and rear), for free-standing installation in the room

### Type 2:

- Leg stabilizer at the front, for installation in front of a Wall (incl. 1 wall mounting bracket)

### Type 3:

- Without leg stabilizer, for installation in front of a Wall (incl. 2 wall mounting brackets)

### • Finish

- Side pieces complete in RAL 9006, whitealuminum

### • Dimensions

- Depth: Type 1: 1115 mm, Type 2: 800 mm, Type 3: 330 mm
- Width: 50 mm
- Height: depending on version, 2500 mm or 3000 mm

### • Supply schedule

- 1 Side panel, with integrated vertical cable routing

### • How supplied

- Pre-assembled

### • Note

- For versions with wall mounting bracket are the fixing accessories on the wall not included in delivery scope

### • Material

- Side pieces: Extruded aluminium profiles and aluminium head piece, foot stabilizer made of die-cast aluminium, side covers made of sheet steel, powder-coated



Type 1

ACC20061

Type 2

ACC20062

Type 3

ACC20063

W	H	D	End- Side Piece H2500	Order no.	UP
50	2500	1115	free-standing (Type 1)	04.501.100.7	1 unit
50	2500	800	leg stabilizer at the front (Type 2)	04.501.101.7	1 unit
50	2500	330	without leg stabilizer (Type 3)	04.501.102.7	1 unit

W	H	D	End- Side Piece H3000	Order no.	UP
50	3000	1115	free-standing (Type 1)	04.501.110.7	1 unit
50	3000	800	leg stabilizer at the front (Type 2)	04.501.111.7	1 unit
50	3000	330	without leg stabilizer (Type 3)	04.501.112.7	1 unit

W	H	D	Connection Side Piece H2500	Order no.	UP
50	2500	1115	free-standing (Type 1)	04.501.105.7	1 unit
50	2500	800	leg stabilizer at the front (Type 2)	04.501.106.7	1 unit
50	2500	330	without leg stabilizer (Type 3)	04.501.107.7	1 unit

W	H	D	Connection Side Piece H3000	Order no.	UP
50	3000	1115	free-standing (Type 1)	04.501.115.7	1 unit
50	3000	800	leg stabilizer at the front (Type 2)	04.501.116.7	1 unit
50	3000	330	without leg stabilizer (Type 3)	04.501.117.7	1 unit



We also offer LCD-screens for 24/7 use in control rooms as well as professional video control hard- and software in corporation with our well known partners.

**Please let us know your requirements!**

**Dimensions in mm:** W = Width  
H = Height  
D = Depth  
h = Installation height  
d = Usable depth  
L = Length

HEA = electronically height adjustable  
HA = height-adjustable

UP = Unit of packaging  
kg = Weight

**Conversion:** 1 inch = 25,4 mm

Replace „x“ with the number of your color choice

## Knürr Elicon® VideoWall Monitor traverse

- Sturdy traverse made of extruded aluminium profile in combination with a 3mm sheet steel cross beam
  - Large-volume cable management with plenty of space for cables, power supplies, thin clients or switches
  - Cable routing already integrated in the traverse
  - With integrated T-slots for mounting Knürr DI-STRIP® socket strips and accessories
- **Material**
    - Cross beam : extruded aluminium profile
    - Monitor traverse and mounting bracket: sheet steel
  - **Finish**
    - Complete in RAL 9006, white aluminium
- **Dimensions**
    - Clear width between the side pieces: 1000mm or 2000mm
  - **Supply schedule**
    - 1 monitor traverse, with integrated horizontal cable routing
  - **How supplied**
    - Pre-assembled
  - **Note**
    - To stabilise the wall, either a cross beam or a perforated sheet metal wall is required in the lower area.



ACC20057



ACC20056

W	H	D	Order no.	UP	
1000			Monitor traverse W1000	04.501.120.7	1 unit
2000			Monitor traverse W2000	04.501.125.7	1 unit

## Knürr Elicon® VideoWall Lower Cross beam

- Sturdy cross beam made of extruded aluminium profile for transverse reinforcement of the base frame, e.g. if only one monitor cross member is used.
  - With integrated T-slots for mounting Knürr DI-STRIP® socket strips and other accessories.
- **Material**
    - Cross beam : extruded aluminium profile
    - Mounting bracket: sheet steel
  - **Finish**
    - Complete in RAL 9006, white aluminium
- **Dimensions**
    - Clear width between the side pieces: 1000mm or 2000mm
  - **Supply schedule**
    - 1 lower cross beam with mounting material
  - **How supplied**
    - Pre-assembled
  - **Note**
    - To stabilise the wall, either a cross beam or a perforated sheet metal wall is required in the lower area.



ACC20058



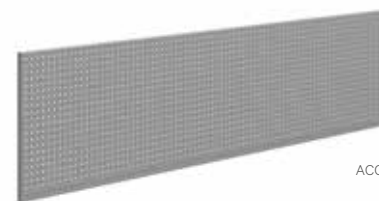
ACC20056

W	H	D	Order no.	UP	
1000			Lower cross beam W1000	04.501.140.7	1 unit
2000			Lower cross beam W2000	04.501.145.7	1 unit

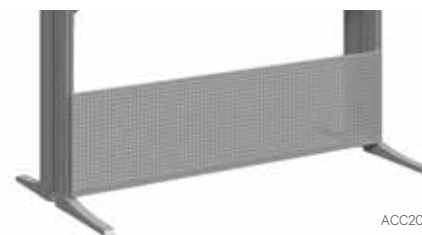
## Knürr Elicon® VideoWall Perforated sheet panel

- For installation below the monitors on the front side or as a complete cladding on the rear side (for freestanding versions).
- Simple assembly due to clever suspension mechanism
- Several rear panels can be easily mounted on top of each other
- **Material**
  - Sheet steel, powder-coated
- **Finish**
  - RAL 9006, white aluminium
- **Supply schedule**
  - 1 perforated panel with mounting material
- **Note**
  - To stabilise the wall, either a cross beam or a perforated sheet metal wall is required in the lower area.

W	H	D	Order no.	UP	
1000			Perforated sheet panel W1000 H550	04.501.150.7	1 unit
2000			Perforated sheet panel W2000 H550	04.501.155.7	1 unit



ACC20059



ACC20060

## Knürr Elicon® VideoWall Telescopic Monitor Holder

- Suitable for Displays up to 50kg
- VESA mounting 100x100 - 800x400 mm
- Tool-less design for comfortable discontinuation
- Push-out holder for simple maintenance access
- Fast and easy alignment of the displays
- **Material**
  - Sheet steel, powder-coated
- **Finish**
  - Schwarz, RAL 9011
- **Supply schedule**
  - 1 set of monitor holder
  - Mounting material
- **How supplied**
  - Pre-assembled set

Order no.	UP	
VideoWall Telescopic Monitor Holder	04.501.018.9	1 Set (for 1 monitor)



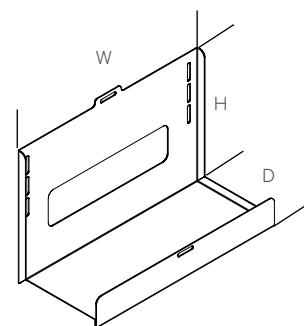
ACC20055

## Knürr Thin Client

### Thin client mounting bracket:

- Mounted on the rear of the Knürr monitor traverse for short cable runs
- With eyelets for optional retaining straps (not included)

W	H	D	Order no.	UP	
345	234	150	Thin Client mounting bracket	04.412.195.8	1 unit



SYN20200

**Dimensions in mm:** W = Width  
H = Height  
D = Depth  
h = Installation height  
d = Usable depth  
L = Length

HEA = electronically height adjustable  
HA = height-adjustable

UP = Unit of packaging  
kg = Weight

**Conversion:** 1 inch = 25,4 mm

Replace „x“ with the number of your color choice

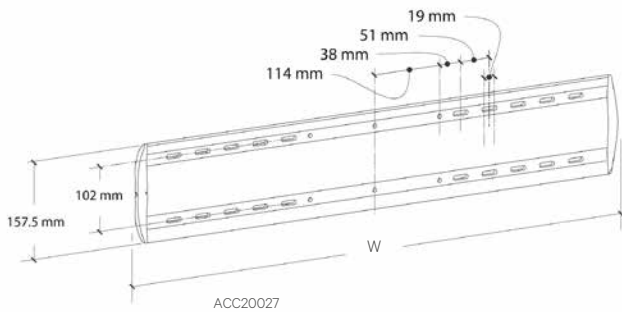
## Wall Mounting Bracket Tiltable

- For large flatscreens up to VESA 600x400 (XL-version VESA 800x400)
  - Easy mounting
  - More viewing comfort – effortless tilting, prevents bothersome reflections
  - Security lock against unauthorized flat screen removal
  - Up to 79 kg load capacity
- **Supply schedule**
    - 1 mounting rail
    - 2 mounting brackets
    - Mounting material
  - **How supplied**
    - Flat-packed kit
  - **Dimensions**
    - Tilt angle +15° / -5°
    - Wall distance 89 mm
  - **Material**
    - Aluminum extrusion rail
    - Sheet steel mounting bracket
    - Plastic caps
  - **Finish**
    - Metal parts – powder-coated, RAL 9006, white aluminum

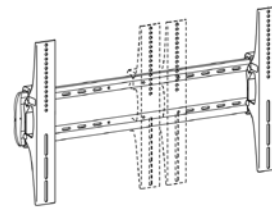


ACC20026

W	H	D		Order-no.	UP
704	157,5	89	Wall Mounting Bracket, tiltable	01.316.270.0	1 unit
900	157,5	89	Wall Mounting Bracket, tiltable XL	01.316.271.0	1 unit



ACC20027



## Monitor Ceiling Mount (200 cm)

- Robust and adjustable monitor ceiling mount. Securely fits LCD-, LED- and Plasma displays
  - Power and signal cable run hidden inside the mounting tube
  - Mounting tube rotatable for ideal monitor orientation
  - For monitors from 40"
  - Load rating up to 60 kg
  - Inclination adjustable 0° - 11°
  - VESA
    - 400x200, 600x200
    - 300x300
    - 400x400, 600x400
- **Material/Finish**
    - Sheet-steel, welded
    - Powder-coated RAL 7021 black-grey
  - **Supply Schedule**
    - **Set, consists of**
      - ceiling plate
      - mounting tube (2000 mm)
      - Monitor adapter
  - **How Supplied**
    - Set
  - **Note**
    - Additional mounting tube length available on request (1000mm and 3000mm)



ACC20028

Type	Order no.	UP
Monitor Ceiling Mount	01.316.262.9	1 unit

# DISPLAY MOUNTS FOR CONSOLES

213 to 218





## Monitor Mounts - Functional Rails

Flat screen monitors are the main interface in today's control rooms between operator and system. According to ergonomic principles, monitors should always be easily adjustable towards the user and allow for quick change in order to reduce maintenance time to a minimum.

Dacobas Advanced Control Room Consoles can be equipped with the following monitor mounts while keeping all flexibility:

### • Functional Rail on Dacobas Profile Extensions

- Large range of accessories like monitor arms, lighting, and much more make the Functional Rail a versatile platform. Mounts between two vertical profiles and a perforated rear panel.

### • Functional Rail Add on Monitor Level

- Besides the various options of the standard Functional Rail, this version also offers an electric height adjustment in option. This allows a better view on videowalls behind the console.

- For additional information see also our catalogue "Ergonomic Flat Screen Supports".

### • Surface

- RAL 6009 White aluminum



DAA20044



DAA20043



DAA20045

W	H	Type	Model	Order-no.	UP
570		Duo	Knürr Dacobas®	01.316.280.9	1 unit
630		Duo	Knürr Dacobas®	01.315.170.9	1 unit
830		Duo	Knürr Dacobas®	01.315.171.9	1 unit
1030		Duo	Knürr Dacobas®	01.315.172.9	1 unit
1140		Duo	Knürr Dacobas®	01.316.282.9	1 unit
1200		Duo	Knürr Dacobas®	01.316.283.9	1 unit
1230		Duo	Knürr Dacobas®	01.315.173.9	1 unit
1430		Duo	Knürr Dacobas®	01.315.174.9	1 unit
1600		Duo	Knürr Dacobas®	01.316.284.9	1 unit
1630		Duo	Knürr Dacobas®	01.315.175.9	1 unit
1710		Duo	Knürr Dacobas®	01.316.285.9	1 unit
1830		Duo	Knürr Dacobas®	01.315.176.9	1 unit
2030		Duo	Knürr Dacobas®	01.315.177.9	1 unit
45° - corner		Duo	Knürr Dacobas®	01.315.180.9	1 unit
90° - wall corner		Duo	Knürr Dacobas®	01.315.181.9	1 unit
90° - trapezoid corner		Duo	Knürr Dacobas®	01.315.182.9	1 unit
800		Duo	Knürr Elicon®	04.208.210.9	1 unit
1000		Duo	Knürr Elicon®	04.208.211.9	1 unit
1200		Duo	Knürr Elicon®	04.208.212.9	1 unit
1400		Duo	Knürr Elicon®	04.208.213.9	1 unit
1600		Duo	Knürr Elicon®	04.208.214.9	1 unit
1800		Duo	Knürr Elicon®	04.208.215.9	1 unit
2000		Duo	Knürr Elicon®	04.208.216.9	1 unit
1600			Monitor Level, circular	93.200.317.3	1 unit
1600			Monitor Level, circular, height adjustable	93.200.314.3	1 unit

**Dimensions in mm:** W = Width  
 H = Height  
 D = Depth  
 h = Installation height  
 d = Usable depth  
 L = Length

HEA = electronically height adjustable  
 HA = height-adjustable

UP = Unit of packaging  
 kg = Weight

**Conversion:** 1 inch = 25,4 mm

Replace „x“ with the number of your color choice



## Monitor Arms for functional rail

- Monitor arms for mounting flat screens with the 75 and 100 mm VESA mounting
- With cable management
- **Supply schedule**
  - 1 flat screen support
  - Type E, F and G come with height adjustment plate
  - Mounting material
- **How supplied**
  - Flat-packed kit
- **Type D-G**
  - For mounting on Knürr double functional rails
  - Swivel arm depth adjustment or gas spring arms for individual height adjustment
  - Quick mounting rail adapters
  - Free placement on horizontal double functional rails

- **Finish / Material Type D-G**
  - Swivel arm: die-cast aluminium
  - Adapter plates: sheet steel
  - Gas spring arm covers: plastic
  - Metal parts: powder-coated, RAL 9006, White aluminum, smooth
  - Gas spring arm housing – type B/C:
  - Plastic, light grey
- **Type H**
  - With extension arm
  - Integrated gas spring
  - With quick connector function (01.316.257.9 and 01.316.258.9)
- **Finish / Material Type H**
  - Gas spring arm housing: Die-cast aluminum, silver
  - Extension arm: Aluminum, silver

Model	Height adjustment plate	Load-bearing capacity	Order no.	UP
Type D, short		12 Kg	<b>01.316.210.9</b>	1 unit
Type E, medium (180 mm)	•	10 Kg	<b>01.316.211.9</b>	1 unit
Type F, long (250 mm)	•	10 Kg	<b>01.316.212.9</b>	1 unit
Type G, double joint (180 + 250 mm)	•	8 Kg	<b>01.316.213.1</b>	1 unit
Type H, Gas spring arm for rail		4 - 9 Kg	<b>01.316.257.9</b>	1 unit
Type H, Gas spring arm with desk clamp		8 -15 Kg	<b>01.316.258.9</b>	1 unit
Type H, Gas spring arm for rail		8 - 12 Kg	<b>01.316.259.9</b>	1 unit
Mounting Adaptor IM-Profile			<b>01.316.214.9</b>	1 unit



Type D

CIC20031



Type E

CIC20032



Type F

CIC20033



Type G

CIC20034



Type H

DAC20191

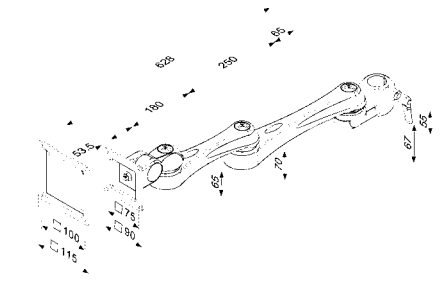


IM Profile Adaptor

DAA20059

## Monitor Mounts - Tube Mount System

- Flat screen mount for flat screens with VESA bracket 75 and 100 mm
- With integrated cable routing
- **Supply schedule**
  - 1x flat screen mount
  - Type E, F, G with accompanying height compensation plate
  - Mounting material
- **How supplied**
  - Flat-packed kit
- **Type D-G**
  - For mounting on Knürr top screen mounting columns for custom depth and height adjustment
  - Freely selectable mounting position on tabletop thanks to practical clamping system
- **Material/Surface Type D-G**
  - Swivel arms: die-cast aluminum, powder-coated, RAL 9006 White aluminium
  - Adapter: steel panel, powder-coated, smooth, RAL 9006 White aluminium
  - Covers on screen arms: plastic, clear



Flat screen mount

CON20131

Model	Height compensation plate	Capacity	Order-no.	UP
Type D, for top screen mounting column (short)		6 kg	01.316.250.9	1 unit
Type E, for top screen mounting column (180 mm)	•	6 kg	01.316.251.9	1 unit
Type F, for top screen mounting column (240 mm)	•	6 kg	01.316.252.9	1 unit
Type G, for top screen mounting column (2x180 mm)	•	6 kg	01.316.253.9	1 unit
Single connecting piece			01.316.224.9	1 unit
Double connecting piece			01.316.227.9	1 unit
Tube mount with clamp system (H400)			01.316.231.9	1 unit
Tube mount with clamp system (H700)			01.316.232.9	1 unit
Tube mount with screw fitting (H400)			01.316.233.9	1 unit
TTube mount with screw fitting (H700)			01.316.234.9	1 unit



Pipe bracket with clamp mount

DAC20164

## Load matrix for tube mount system

Maximum weight per screen in kg	Type D (short)	Type E (180 mm)	Type F (250mm)	Type G (360mm)
H400 1x single adapter	6 kg	6 kg	6 kg	6 kg
H400 1x double adapter	4 kg	4 kg	4 kg	4 kg
H700 2x single adapter	6 kg	5 kg	4 kg	-

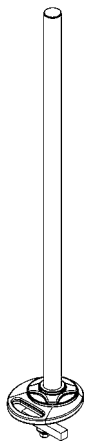


Single connecting piece

KON20086

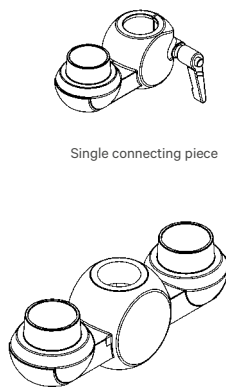
**Caution:** Pipe bracket at a height of 700 mm are generally not approved for use with double connecting pieces!

„-“ = combination not approved

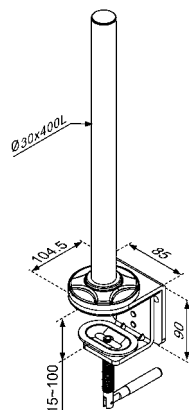


ACC20029

Pipe bracket for screw fitting



Double connecting piece



Pipe bracket with clamp mount



Double connecting piece

ERG00042

### • Please note

- Monitor Arms for Monitor Poles come without mounting adaptors for functional rails. In order to install with Monitor Poles, please also order Single or Double Connector.

## VESA Adapter Plates

- For adapting VESA 100/200 and VESA 200/200 threaded connections to VESA 75 and VESA 100
- Single adapter for monitors up to 12 kg
- Double adapter for monitors up to 24 kg on 2 Vesa 75/100 holders
- **Supply schedule**
  - 1 adapter plate
  - Mounting material
- **How supplied**
  - Flat-packed kit
- **Material**
  - Sheet steel
- **Finish**
  - Powder-coated, RAL 9006, white aluminum



DAC20175



DAC20176

W	H	Model	Order-no.	UP
220	220	Single	01.316.244.9	1 unit
501	250	Double	01.316.245.9	1 unit

## VESA Fast Change Plate

- Quick, tool-less monitor swap-out via spring balancer
- For adapting VESA 75/100 threaded connections
- With height adjustment holes
- Low installation depth – only 15 mm
- **Supply schedule**
  - 1 adapter plate
  - Mounting material
- **How supplied**
  - Flat-packed kit
- **Dimensions**
  - Width 130 mm
  - Height 170 mm
  - Depth 15 mm
- **Material**
  - Sheet steel
- **Finish**
  - Powder-coated, RAL 9006, white aluminum



ERG00040

W	H	D	Order-no.	UP
130	170	15	01.316.239.9	1 unit

## Touchscreen Mount inclinable

- Display holder with integrated and stepless tilt adjustment.
- Inclination angle freely adjustable from 25° - 70° for individual and ergonomic operation of the touch display.
- Simple and flexible positioning on the tabletop.
- Suitable for displays with VESA 75/100 mount.
- **Material**
  - Sheet steel, powder-coated
- **Surface**
  - RAL 7021, dark grey
- **Supply schedule**
  - 1 Touchscreen mount
  - Mounting material
- **How supplied**
  - As Set

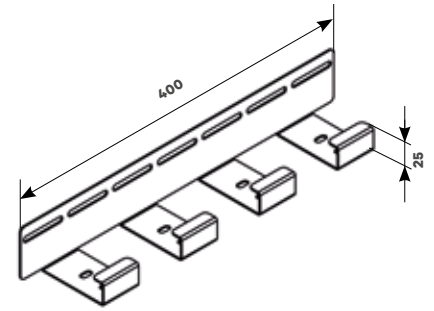


Type	Order-no.	UP
Touchscreen Mount inclinable	04.501.015.9	1 unit

**Dimensions in mm:** W = Width  
H = Height  
D = Depth  
h = Installation height  
d = Usable depth  
L = Length  
HEA = electronically height adjustable  
HA = height-adjustable  
UP = Unit of packaging  
kg = Weight  
**Conversion:** 1 inch = 25,4 mm  
Replace „x“ with the number of your color choice

## Cable Duct Functional Rail 25 mm

- For structured cabling at the monitor level
  - Finger design allows to let out cables exactly where needed
  - Simple, retrofittable installation grace to plastic quick locks
  - 400 mm elements, free placement
- **Material / Finish**
    - Sheetsteel, powder-coated texture, RAL9006
    - Plastic black
  - **Supply schedule**
    - 1 Cable duct segment
    - Mounting material
  - **How supplied**
    - flatpacked
  - **Please note**
    - Please also ask for matching brush strips for dust cover!



DAA20057

W	Type	Model	Order-no.	UP
400	25 mm	Functional rail	04.300.414.9	1 unit

## Accessories for Multi-Functional Rails

- Organizational elements, compatible design for Knürr multi-functional rails
  - 430 mm console – also perfect as telephone stand
- **Supply schedule**
    - 1 Organizational element
  - **How supplied**
    - In batches
  - **Material**
    - Sheet steel
  - **Finish**
    - Powder-coated, RAL9006 White aluminum



Tray console 430 mm

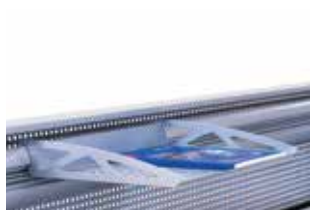
DAC20091

Model	Order no.	UP
Tray shelf DIN A4	04.300.400.9	1 unit
Box with note pad	04.303.103.9	1 unit
Tray shelf DIN A3	04.300.401.9	1 unit
Tray console 430 mm	04.303.106.9	1 unit
Magazine file DIN A4	04.303.110.9	1 unit



Box with note pad

DAC20089



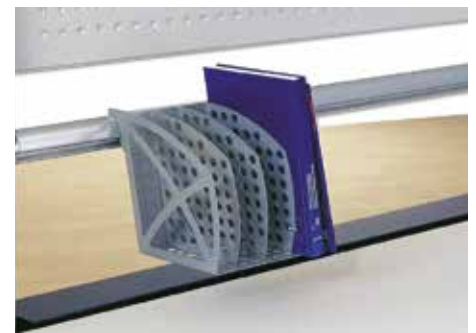
Tray shelf DIN A3

DAC00600



Tray shelf DIN A4

DAC20082



Magazine file DIN A4

DAC20090

## Cable Entry

- Cable entry for additional or retro cable input and output installation
  - Type 1: 183 x 98 mm
  - Type 2: diameter 80 mm
- **Supply schedule**
    - 1 Cable entry, 3-piece

Finish	Model	Order-no.	UP
RAL 7035 light-grey	Type 1	01.350.156.1	1 unit
RAL 7035 light-grey	Type 2	01.350.145.1	1 unit
RAL 9011 graphite black	Type 1	01.350.156.5	1 unit
RAL 9011 graphite black	Type 2	01.350.145.5	1 unit



DAC00447