

Product information sheet  
**SVENSTOL® S5**

DIN 68877

LGAN Nürnberg BS 5459  
24H ZERTIFIZIERT

LGAN Nürnberg ERGONOMIE GEPRÜFT  
ERGONOMICS APPROVED



LARGE RECLINE ANGLE

COMFORTPLUS-CUSHIONING

STEEL FRAME

REPLACEABLE SEAT CUSHION

6-LEGGED BASE

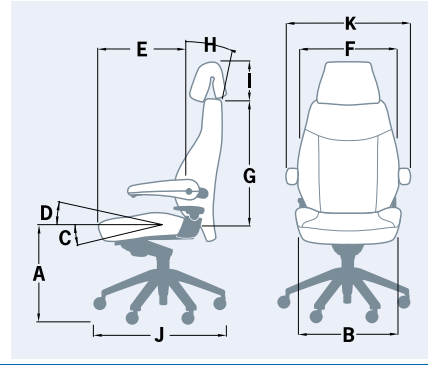
ACTIVEPLUS-MECHANISM

MADE IN GERMANY

**STANDARD SPECIFICATION**

<b>Seat mechanism</b>	<b>activePlus mechanism</b> encourages active sitting, with torsional spring, easily adjustable for weights from 45 kg to 150 kg, statically loadable up to 200 kg, can be tilted and locked at any angle: - 6° to +19°
<b>Backrest</b>	Steel frame, angle adjustable by up to 25° (from seat)
<b>Seat</b>	Steel frame, plastic seat pan
<b>Seat and back cushioning</b>	<b>comfortPlus cushioning</b> combines car seat comfort with workplace ergonomic requirements, ergonomically shaped cold foam, with 10 mm lining for comfort, seat cushion thickness: 8 cm
<b>Seat height adjustment</b>	Gas spring, adjustable to any height from 44 - 56 cm
<b>Base</b>	star-shaped, polished aluminium base, 72 cm diameter, 6-legged for improved weight distribution and stability
<b>Castors</b>	6 large castors, 65 mm diameter, castors for hard or soft floors
<b>Guarantee</b>	5-year full guarantee at 24 h use
<b>Certification</b>	Tested safety (GS), Ergonomics approved, DIN EN 1335 1-3, BS 5459, DIN 68877, ESD certified in accordance with DIN 61340-5-1, Blauer Engel (Blue Angel - The German Ecolabel)

Product information sheet  
**SVENSTOL® S5**



- A 44 - 56 cm
- B 55 cm
- C 6°
- D 19°
- E 41 - 51 cm
- F 51 cm
- G 65 cm
- H 25°
- I 18 - 35 cm
- J 72 cm
- K 69 cm
- kg approx. 35

## TYPES OF COVER/PRICE GROUPS

	Fabric FG 2* 24/7 or vinyl (black)	Fabric FG 3* Climatex 24/7 ■	Fabric/Leather mix* Leather black with FG 2 or 3	Leather* Leather black
<b>Standard type</b> without headrest	✓	✓	✓	✓
<b>Standard type</b> with headrest	✓ +	✓ +	✓	✓
<b>Extra charge</b> headrest in leather black	✓	✓		

+ fabric covers with headrest in vinyl possible, same price    ■ combination with vinyl (black) possible (fabric/leather design), same price    \* for colour range see our colour card

## FEATURES

<b>Svenstol®-Armrests</b>	can be tipped back, adjustable tilt
<b>Height adjustment</b>	for Svenstol armrest, adjustable in height in 7 steps, adjustable while sitting
<b>T armrests</b>	height, depth and width adjustable, robust, maximum stability
<b>Lumbar support pneumatic</b>	pneumatically adjustable using hand pump (on the left underneath the seat), height adjustable (2 air chambers)
<b>Lumbar support, mechanical</b>	Height and depth adjustable, adjustable while sitting, with two hand wheels on the backrest
<b>Seat depth adjustment</b>	Sliding seat pan (adjustable forwards by 10 cm), locking lever at the front on the right underneath the seat
<b>Castors/glides</b>	Basic model for hard or soft floors antistatic castors (65 mm) for soft or hard floors Glides
<b>Seat height</b>	Basic model with standard gas strut (seat height 44 - 56 cm) or alternatively: higher gas strut (seat height 48 - 60 cm) alternatively: lower gas strut (seat height 39 - 47 cm)
<b>Back shell</b>	Impact-resistant synthetic cover for the backrest (not possible with T-armrests or without armrests)
<b>Holster protect</b>	Cover with extra tear-, puncture- and abrasion-resistant material in the most stressed areas
<b>Version 150+</b>	tilt angle reduced by 6°, reinforced construction with stronger mechanism, seat and gas strut reinforced, suited for user between 45 kg and 200 kg (dynamic resilience), statically loadable up to 230 kg
<b>ESD Version</b>	certified in accordance with DIN 61340-5-1, resistance < 1x10 <sup>6</sup> Ω features (cover etc.) limited (see accessories sheet)
<b>Cover</b>	for Seat: washable, easy to fit for Back: washable, easy to fit for Headrest: washable, easy to fit for Svenstol armrests: upholstered, black imitation leather
<b>Headrest hygienic cloths</b>	disposable cloths (headrest slip cover required for use)
<b>Clothes hanger</b>	attached to head rest, removable
<b>Corporate Design</b>	Your name/logo/symbol embroidered or woven on to the cover